



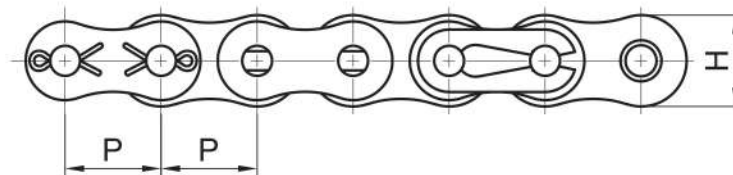
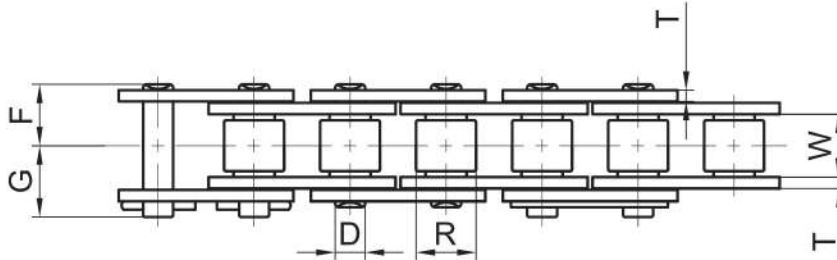
NON CORROSION RESISTANT

ANSI STANDARD



PROCOAT™

1. Provides **excellent corrosion resistance** and commonly used in applications with high humidity, outdoor environments, and saltwater applications.
2. **Stronger**, more impact-resistant than Stainless Steel.
3. ProCoat™ offers the **durability** and load-bearing features of Carbon Steel.
4. All KSP roller chain is **pre-loaded** during the manufacturing process to minimize initial elongation.



Chain	Pitch P	Roller		Plate		Pin Dia. D	Overall Width		Avg. Ult. Tensile Strength (Lbs.)	Max. Working Load (Lbs.)	Avg. Weight Per Foot (Lbs.)
		Width W	Dia. R	Height H	Thickness T		F	G			
25PRO	0.250	0.125	0.130	0.228	0.030	0.091	0.154	0.185	1,036	165	0.087
35PRO	0.375	0.188	0.200	0.356	0.050	0.142	0.232	0.303	2,469	485	0.215
41PRO	0.500	0.250	0.306	0.390	0.050	0.142	0.263	0.334	2,866	529	0.276
40PRO	0.500	0.312	0.312	0.475	0.060	0.157	0.324	0.406	4,188	816	0.417
50PRO	0.625	0.375	0.400	0.594	0.080	0.200	0.400	0.488	6,834	1,400	0.679
60PRO	0.750	0.500	0.469	0.712	0.094	0.235	0.501	0.601	9,259	2,094	0.974
80PRO	1.000	0.625	0.625	0.950	0.125	0.313	0.650	0.803	17,636	3,307	1.714
100PRO	1.250	0.750	0.750	1.187	0.156	0.376	0.781	0.950	25,353	5,071	2.654
120PRO	1.500	1.000	0.875	1.425	0.187	0.437	1.005	1.174	34,392	6,834	3.790
140PRO	1.750	1.000	1.000	1.662	0.219	0.500	1.074	1.267	46,297	9,039	4.959
160PRO	2.000	1.250	1.125	1.900	0.250	0.563	1.290	1.459	57,761	11,905	6.317
180PRO	2.250	1.406	1.406	2.137	0.281	0.687	1.443	1.659	84,216	13,669	8.514
200PRO	2.500	1.500	1.562	2.375	0.312	0.781	1.589	1.825	109,128	16,094	10.684
240PRO	3.000	1.875	1.875	2.850	0.375	0.937	1.943	2.179	154,323	29,762	16.396

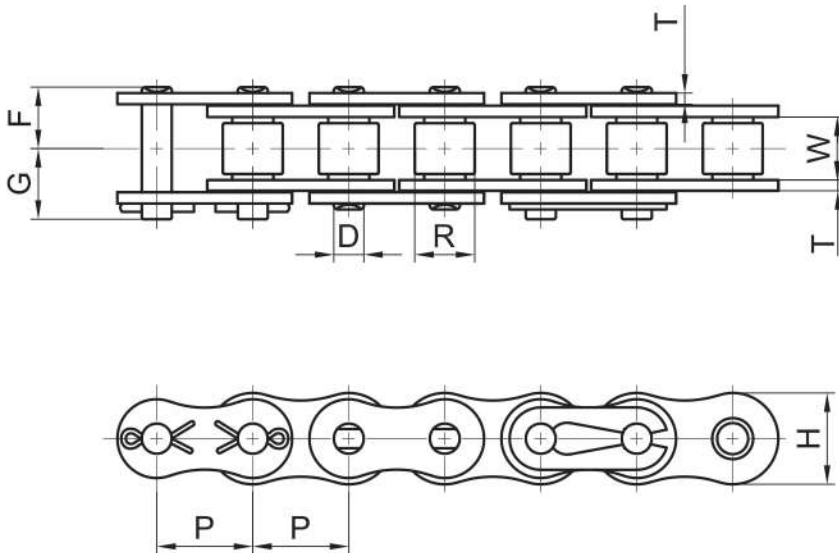
CORROSION RESISTANT

ANSI STANDARD HEAVY H SERIES

PROCOAT™



1. ProCoat™ Heavy Series chain incorporates **thicker** plates for greater **strength** and **durability**.
2. Provides **excellent corrosion resistance** and commonly used in applications with high humidity, outdoor environments, and saltwater applications.
3. ProCoat™ Heavy Series offers the **durability** and load-bearing features of Carbon Steel.
4. All KSP roller chain is **pre-loaded** during the manufacturing process to minimize initial elongation.



Chain	Pitch P	Roller		Plate		Pin Dia. D	Overall Width		Avg. Ult. Tensile Strength (Lbs.)	Max. Working Load (Lbs.)	Avg. Weight Per Foot (Lbs.)
		Width W	Dia. R	Height H	Thickness T		F	G			
50HPRO	0.625	0.375	0.400	0.573	0.094	0.200	0.435	0.526	8,157	1,224	0.766
60HPRO	0.750	0.500	0.469	0.765	0.125	0.235	0.567	0.665	11,905	2,157	1.162
80HPRO	1.000	0.625	0.625	0.956	0.156	0.313	0.715	0.888	21,494	3,564	1.995
100HPRO	1.250	0.750	0.750	1.146	0.187	0.376	0.860	0.998	30,424	5,544	3.017
120HPRO	1.500	1.000	0.875	1.464	0.219	0.437	1.072	1.265	41,447	6,897	4.206
140HPRO	1.750	1.000	1.000	1.530	0.250	0.500	1.144	1.345	54,895	9,500	5.476
160HPRO	2.000	1.250	1.125	1.846	0.281	0.563	1.339	1.546	68,784	11,020	7.109
180HPRO	2.250	1.406	1.406	2.067	0.312	0.687	1.521	1.738	97,444	15,099	9.206
200HPRO	2.500	1.500	1.562	2.295	0.375	0.781	1.715	1.934	113,758	17,558	12.834
240HPRO	3.000	1.875	1.875	2.935	0.375	0.937	2.533	2.533	210,541	25,211	19.856

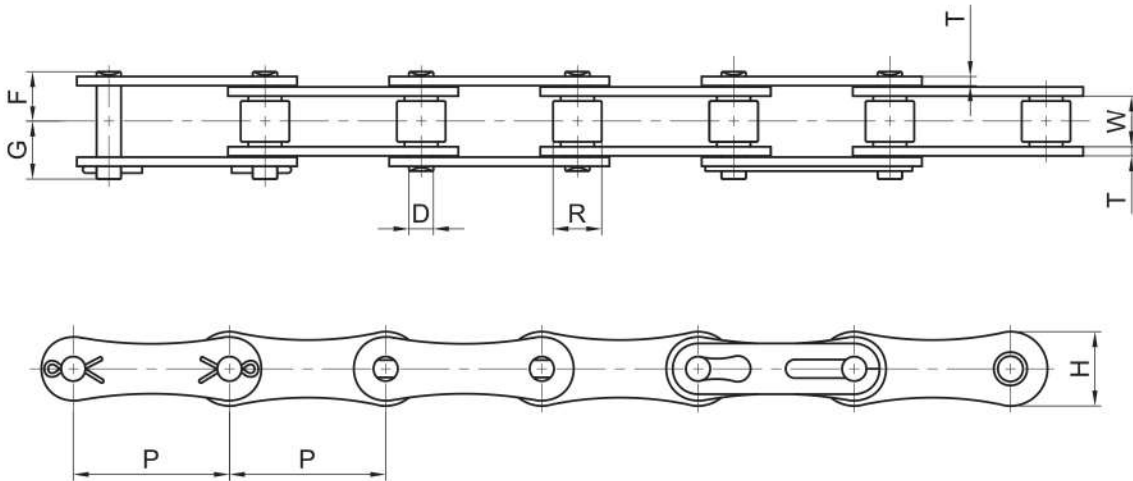
CORROSION RESISTANT

ANSI STANDARD DOUBLE PITCH A TYPE



PROCOAT™

1. Designed for **low speed** and long distance **conveyor applications**.
2. Provides **excellent corrosion resistance** and commonly used in applications with high humidity, outdoor environments, and saltwater applications.
3. ProCoat™ offers the **durability** and load-bearing features of Carbon Steel.
4. All KSP roller chain is **pre-loaded** during the manufacturing process to minimize initial elongation.



Chain	Pitch P	Roller		Plate		Pin Dia. D	Overall Width		Avg. Ult. Tensile Strength (Lbs.)	Max. Working Load (Lbs.)	Avg. Weight Per Foot (Lbs.)
		Width	Dia.	Height	Thickness		F	G			
		W	R	H	T						
A2040PRO	1.000	0.312	0.312	0.475	0.060	0.157	0.324	0.406	4,189	661	0.276
A2042PRO	1.000	0.312	0.625	0.475	0.060	0.157	0.324	0.406	4,189	661	0.276
A2050PRO	1.250	0.375	0.400	0.594	0.080	0.200	0.400	0.488	6,834	990	0.457
A2052PRO	1.250	0.375	0.750	0.594	0.080	0.200	0.400	0.488	6,834	990	0.457
A2060PRO	1.500	0.500	0.469	0.712	0.094	0.235	0.501	0.601	9,259	1,430	0.638
A2062PRO	1.500	0.500	0.875	0.712	0.094	0.235	0.501	0.601	9,259	1,430	0.638
A2080PRO	2.000	0.625	0.625	0.950	0.125	0.313	0.650	0.803	17,637	2,420	1.176
A2082PRO	2.000	0.625	1.125	0.950	0.125	0.313	0.650	0.803	17,637	2,420	1.176

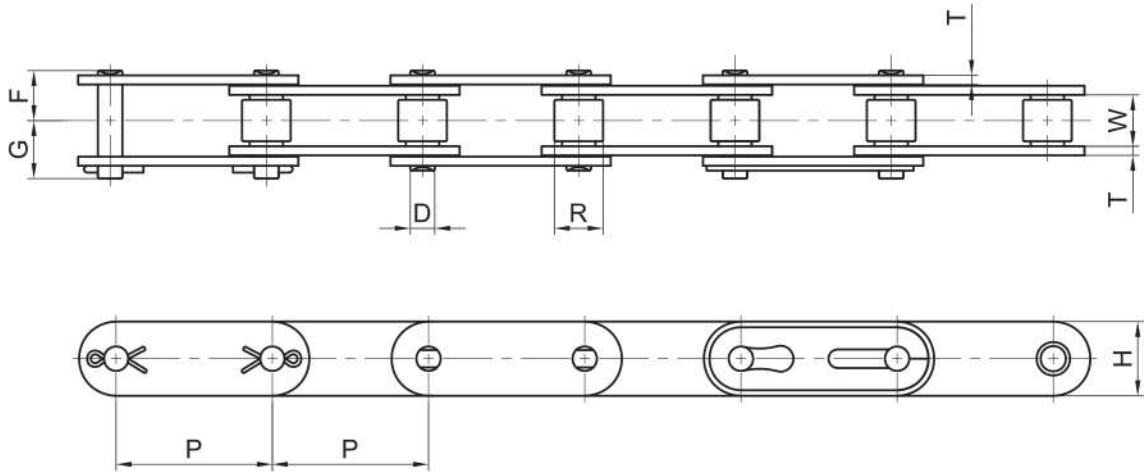
CORROSION RESISTANT

ANSI STANDARD DOUBLE PITCH C TYPE

PROCOAT™



1. Designed for **low speed** and long distance **conveyor applications**.
2. Provides **excellent corrosion resistance** and commonly used in applications with high humidity, outdoor environments, and saltwater applications.
3. ProCoat™ offers the **durability** and load-bearing features of Carbon Steel.
4. All KSP roller chain is **pre-loaded** during the manufacturing process to minimize initial elongation.



Chain	Pitch P	Roller		Plate		Pin Dia. D	Overall Width		Avg. Ult. Tensile Strength (Lbs.)	Max. Working Load (Lbs.)	Avg. Weight Per Foot (Lbs.)
		Width	Dia.	Height	Thickness		F	G			
		W	R	H	T						
C2040PRO	1.000	0.312	0.312	0.475	0.060	0.157	0.324	0.406	4,189	661	0.316
C2042PRO	1.000	0.312	0.625	0.475	0.060	0.157	0.324	0.406	4,189	661	0.558
C2050PRO	1.250	0.375	0.400	0.594	0.080	0.200	0.400	0.488	6,834	992	0.538
C2052PRO	1.250	0.375	0.750	0.594	0.080	0.200	0.400	0.488	6,834	992	0.853
C2060PRO	1.500	0.500	0.469	0.712	0.094	0.235	0.501	0.601	9,259	1,433	0.759
C2060HPRO	1.500	0.500	0.469	0.712	0.125	0.235	0.567	0.606	12,125	1,543	0.947
C2062HPRO	1.500	0.500	0.875	0.712	0.125	0.235	0.567	0.606	12,125	1,543	1.431
C2080HPRO	2.000	0.625	0.625	0.950	0.156	0.313	0.715	0.888	20,503	2,646	1.599
C2082HPRO	2.000	0.625	1.125	0.950	0.156	0.313	0.715	0.888	20,503	2,646	2.318
C2100HPRO	2.500	0.750	0.750	1.187	0.187	0.376	0.860	0.998	30,865	4,079	2.459
C2102HPRO	2.500	0.750	1.562	1.187	0.187	0.376	0.860	0.998	30,865	4,079	3.944
C2120HPRO	3.000	1.000	0.875	1.369	0.219	0.437	1.072	1.265	40,345	5,512	3.481
C2122HPRO	3.000	1.000	1.750	1.369	0.219	0.437	1.072	1.265	40,345	5,512	5.436
C2160HPRO	4.000	1.250	1.125	1.900	0.281	0.562	1.339	1.546	69,446	9,259	5.745
C2162HPRO	4.000	1.250	2.250	1.900	0.281	0.562	1.339	1.546	69,446	9,259	8.729

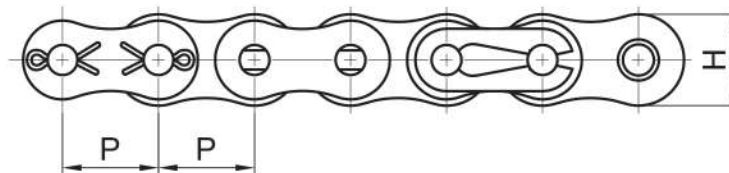
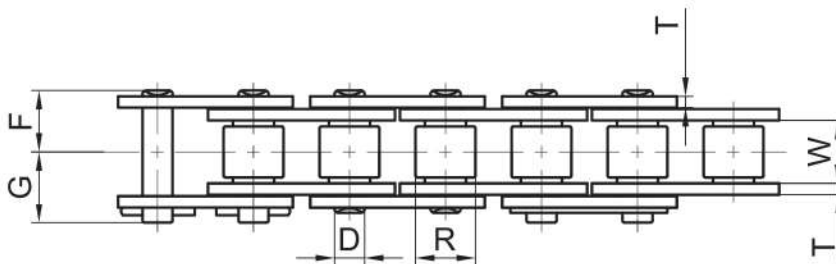
CORROSION RESISTANT

ISO BRITISH METRIC STANDARD

NICKEL-PLATED



1. Nickel-Plated Roller chain provides **corrosion resistance** for applications with high humidity and water exposures or wash-downs.
2. All chain components are **heat-treated** to achieve maximum strength and greater wear resistance.
3. All KSP roller chain is **pre-loaded** during the manufacturing process to minimize initial elongation.
4. **Hot-dipped lubrication** ensures 100% lubrication of all chain components to extend wear life and reduce maintenance costs.



Chain	Pitch P	Roller		Plate		Pin Dia. D	Overall Width		Avg. Ult. Tensile Strength (Lbs.)	Max. Working Load (Lbs.)	Avg. Weight Per Foot (Lbs.)
		Width	Dia.	Height	Thickness		F	G			
		W	R	H	T						
25NP	0.250	0.125	0.130	0.228	0.030	0.091	0.154	0.185	1036	110	0.087
35NP	0.375	0.188	0.200	0.356	0.050	0.142	0.232	0.277	2469	390	0.215
41NP	0.500	0.250	0.306	0.390	0.050	0.142	0.263	0.334	2866	368	0.276
40NP	0.500	0.312	0.312	0.475	0.060	0.157	0.324	0.406	4188	650	0.417
50NP	0.625	0.375	0.400	0.594	0.080	0.200	0.400	0.488	6834	1120	0.679
60NP	0.750	0.500	0.469	0.673	0.094	0.234	0.500	0.549	9259	1675	0.974
80NP	1.000	0.625	0.625	0.950	0.125	0.313	0.650	0.803	17636	2650	1.714
100NP	1.250	0.750	0.750	1.187	0.156	0.376	0.781	0.950	25353	4050	2.654
120NP	1.500	1.000	0.875	1.425	0.187	0.437	1.005	1.174	34392	5470	3.79
140NP	1.750	1.000	1.000	1.662	0.219	0.500	1.074	1.267	46297	7240	4.959
160NP	2.000	1.250	1.125	1.900	0.250	0.563	1.290	1.459	57761	9525	6.317

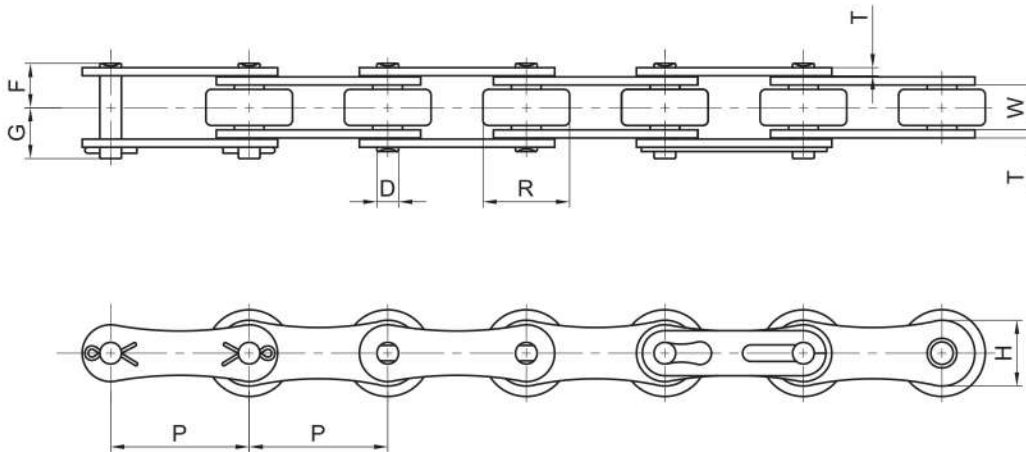
CORROSION RESISTANT

ANSI STANDARD DOUBLE PITCH A TYPE



NICKEL-PLATED

1. Designed for **low speed** and long distance **drive applications**.
2. Nickel-plated roller chain provides a **quality corrosion resistance** for applications with high humidity and water exposures or wash-downs.
3. All KSP roller chain is **pre-loaded** during the manufacturing process to minimize initial elongation.
4. **Hot-dipped lubrication** ensures 100% lubrication of all chain components to extend wear life and reduce maintenance costs.

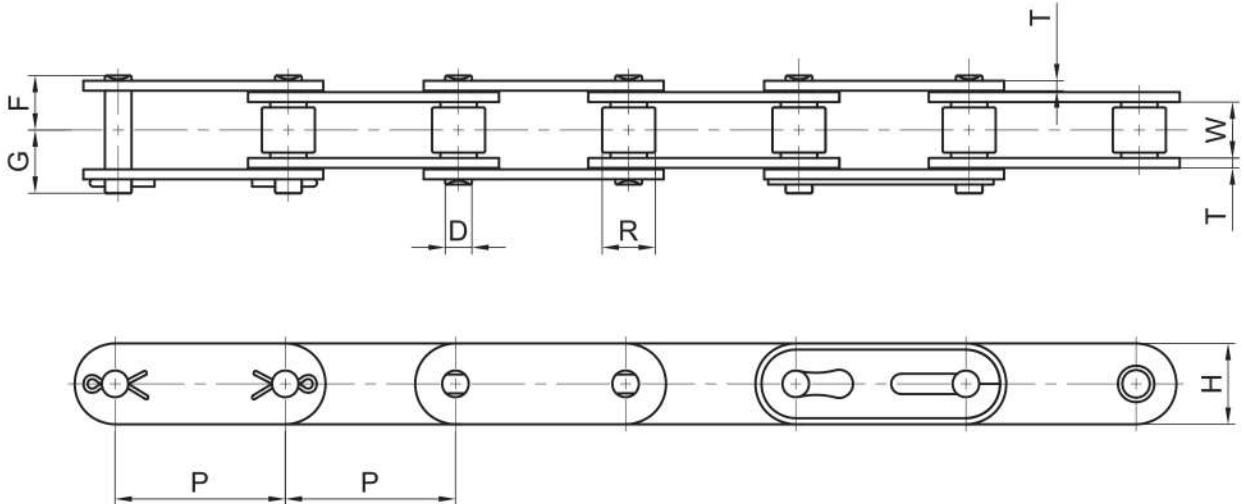


Chain	Pitch P	Roller		Plate		Pin Dia. D	Overall Width		Avg. Ult. Tensile Strength (Lbs.)	Max. Working Load (Lbs.)	Avg. Weight Per Foot (Lbs.)
		Width	Dia.	Height	Thickness		F	G			
		W	R	H	T						
A2040NP	1.000	0.312	0.312	0.475	0.060	0.157	0.324	0.406	4,189	661	0.276
A2042NP	1.000	0.312	0.625	0.475	0.060	0.157	0.324	0.406	4,189	661	0.276
A2050NP	1.250	0.375	0.400	0.594	0.080	0.200	0.400	0.488	6,834	990	0.457
A2052NP	1.250	0.375	0.750	0.594	0.080	0.200	0.400	0.488	6,834	990	0.457
A2060NP	1.500	0.500	0.469	0.712	0.094	0.235	0.501	0.601	9,259	1,430	0.638
A2062NP	1.500	0.500	0.875	0.712	0.094	0.235	0.501	0.601	9,259	1,430	0.638
A2080NP	2.000	0.625	0.625	0.950	0.125	0.313	0.650	0.803	17,637	2,420	1.176
A2082NP	2.000	0.625	1.125	0.950	0.125	0.313	0.650	0.803	17,637	2,420	1.176

ANSI STANDARD DOUBLE PITCH C TYPE



1. Designed for **low speed** and long distance **conveyor applications**.
2. Nickel-plated roller chain provides a **quality corrosion resistance** for applications with high humidity and water exposures or wash-downs.
3. All KSP roller chain is **pre-loaded** during the manufacturing process to minimize initial elongation.
4. **Hot-dipped lubrication** ensures 100% lubrication of all chain components to extend wear life and reduce maintenance costs.



Chain	Pitch P	Roller		Plate		Pin Dia. D	Overall Width		Avg. Ult. Tensile Strength (Lbs.)	Max. Working Load (Lbs.)	Avg. Weight Per Foot (Lbs.)
		Width	Dia.	Height	Thickness		F	G			
		W	R	H	T		F	G			
C2040NP	1.000	0.312	0.312	0.475	0.060	0.157	0.324	0.406	4,189	661	0.316
C2042NP	1.000	0.312	0.625	0.475	0.060	0.157	0.324	0.406	4,189	661	0.558
C2050NP	1.250	0.375	0.400	0.594	0.080	0.200	0.400	0.488	6,834	990	0.538
C2052NP	1.250	0.375	0.750	0.594	0.080	0.200	0.400	0.488	6,834	990	0.853
C2060NP	1.500	0.500	0.469	0.712	0.094	0.235	0.501	0.601	9,259	1,433	0.759
C2060HNP	1.500	0.500	0.469	0.712	0.125	0.235	0.567	0.606	12,125	1,543	0.947
C2062HNP	1.500	0.500	0.875	0.712	0.125	0.235	0.567	0.606	12,125	1,543	1.431
C2080HNP	2.000	0.625	0.625	0.950	0.156	0.313	0.715	0.888	20,503	2,646	1.599
C2082HNP	2.000	0.625	1.125	0.950	0.156	0.313	0.715	0.888	20,503	2,646	2.318
C2100HNP	2.500	0.750	0.750	1.187	0.187	0.376	0.860	0.998	30,865	4,079	2.459
C2102HNP	2.500	0.750	1.562	1.187	0.187	0.376	0.860	0.998	30,865	4,079	3.944
C2120HNP	3.000	1.000	0.875	1.369	0.219	0.437	1.072	1.265	40,345	5,512	3.481
C2122HNP	3.000	1.000	1.750	1.369	0.219	0.437	1.072	1.265	40,345	5,512	5.436
C2160HNP	4.000	1.250	1.125	1.900	0.281	0.562	1.339	1.546	69,446	9,259	5.745
C2162HNP	4.000	1.250	2.250	1.900	0.281	0.562	1.339	1.546	69,446	9,259	8.729

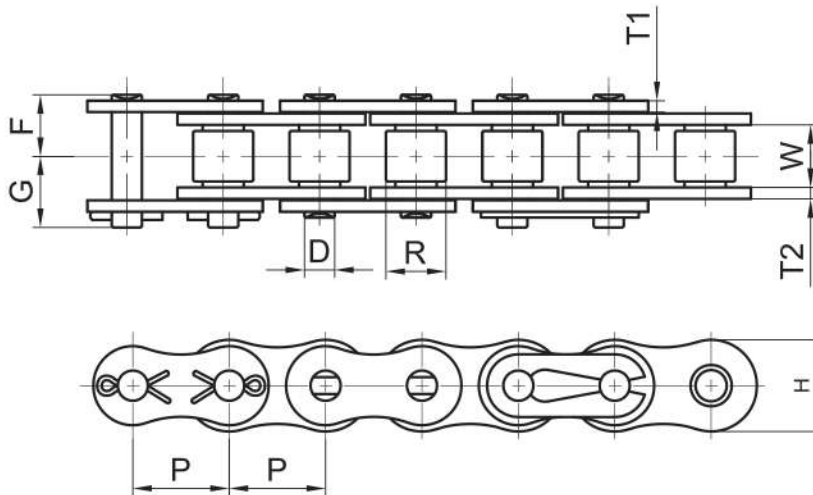
CORROSION RESISTANT

ISO BRITISH METRIC STANDARD



NICKEL-PLATED

1. Nickel-plated roller chain provides **corrosion resistance** for applications with high humidity and water exposures or wash-downs.
2. All chain components are **heat-treated** to achieve maximum strength and greater wear resistance.
3. All KSP roller chain is **pre-loaded** during the manufacturing process to minimize initial elongation.
4. **Hot-dipped lubrication** ensures 100% lubrication of all chain components to extend wear life and reduce maintenance costs.



Chain	Pitch P	Roller		Plate		Pin Dia. D	Overall Width		Avg. Ult. Tensile Strength (Lbs.)	Max. Working Load (Lbs.)	Avg. Weight Per Foot (Lbs.)	
		Width	Dia.	Height	Thickness		F	G				
		W	R	H	T1							T2
04BNP	0.236	0.110	0.157	0.197	0.024	0.024	0.073	0.132	0.175	728	110	0.087
05BNP	0.315	0.118	0.197	0.280	0.031	0.031	0.091	0.154	0.185	1,279	200	0.108
06BNP	0.375	0.225	0.250	0.325	0.039	0.050	0.129	0.241	0.279	2,381	315	0.276
08BNP	0.500	0.305	0.335	0.465	0.059	0.062	0.175	0.324	0.368	4,233	700	0.443
083NP	0.500	0.192	0.305	0.406	0.050	0.050	0.161	0.254	0.274	3,307	450	0.282
10BNP	0.625	0.380	0.400	0.580	0.067	0.067	0.200	0.388	0.455	5,997	880	0.618
12BNP	0.750	0.460	0.475	0.635	0.073	0.073	0.225	0.444	0.526	7,231	1,230	0.813
16BNP	1.000	0.670	0.625	0.830	0.125	0.157	0.326	0.713	0.776	17,108	2,800	1.787
20BNP	1.250	0.770	0.750	1.040	0.125	0.176	0.401	0.791	0.961	23,149	3,350	2.433
24BNP	1.500	1.000	1.000	1.315	0.189	0.236	0.576	1.066	1.267	39,683	5,650	4.737
28BNP	1.750	1.220	1.100	1.460	0.236	0.287	0.626	1.474	1.297	57,200	7,920	6.84
32BNP	2.000	1.220	1.150	1.665	0.236	0.276	0.701	1.502	1.305	63,580	8,440	6.59

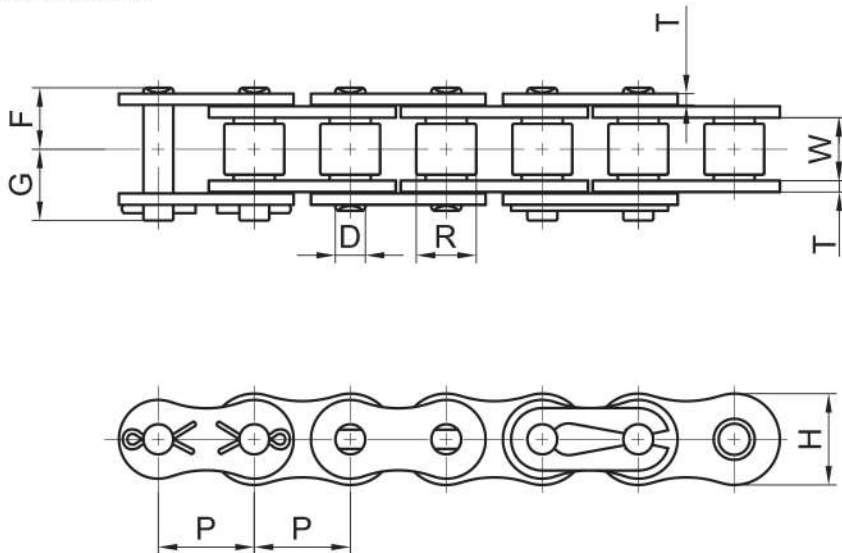
ANSI STANDARD

ZINC-PLATED



1. Zinc-plated roller chain provides **corrosion resistance** for applications with high humidity and salt water exposures or wash-downs.
2. All chain components are **heat-treated** to achieve maximum strength and greater wear resistance.

3. All KSP roller chain is **pre-loaded** during the manufacturing process to minimize initial elongation.
4. **Hot-dipped lubrication** ensures 100% lubrication of all chain components to extend wear life and reduce maintenance costs.



Chain	Pitch P	Roller		Plate		Pin Dia. D	Overall Width		Avg. Ult. Tensile Strength (Lbs.)	Max. Working Load (Lbs.)	Avg. Weight Per Foot (Lbs.)
		Width	Dia.	Height	Thickness		F	G			
		W	R	H	T						
25ZP	0.250	0.125	0.130	0.228	0.030	0.091	0.154	0.185	1,036	165	0.087
35ZP	0.375	0.188	0.200	0.356	0.050	0.142	0.232	0.303	2,469	485	0.215
41ZP	0.500	0.250	0.306	0.390	0.050	0.142	0.263	0.334	2,866	529	0.276
40ZP	0.500	0.312	0.312	0.475	0.060	0.157	0.324	0.406	4,188	816	0.417
50ZP	0.625	0.375	0.400	0.594	0.080	0.200	0.400	0.488	6,834	1,400	0.679
60ZP	0.750	0.500	0.469	0.673	0.094	0.235	0.500	0.601	9,259	2,094	0.974
80ZP	1.000	0.625	0.625	0.950	0.125	0.313	0.650	0.803	17,636	3,307	1.714
100ZP	1.250	0.750	0.750	1.187	0.156	0.376	0.781	0.950	25,353	5,071	2.654
120ZP	1.500	1.000	0.875	1.425	0.187	0.437	1.005	1.174	34,392	6,834	3.790
140ZP	1.750	1.000	1.000	1.662	0.219	0.500	1.074	1.267	46,297	9,039	4.959
160ZP	2.000	1.250	1.125	1.900	0.250	0.563	1.290	1.459	57,761	11,905	6.317

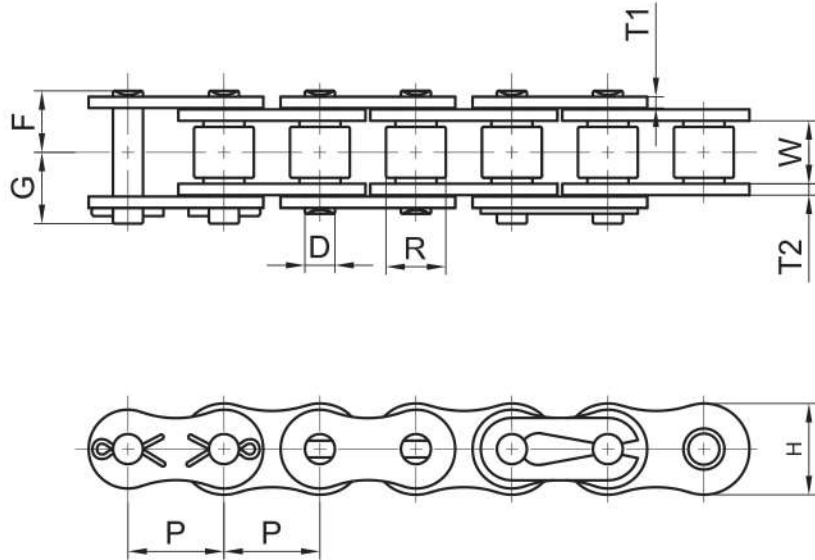
CORROSION RESISTANT

ISO BRITISH METRIC STANDARD



PROCOAT™

1. Provides **excellent corrosion resistance** and commonly used in applications with high humidity, outdoor environments, and saltwater applications.
2. **Stronger**, more impact-resistant than Stainless Steel.
3. ProCoat offers the **durability** and load-bearing features of Carbon Steel.
4. All KSP roller chain is **pre-loaded** during the manufacturing process to minimize initial elongation.



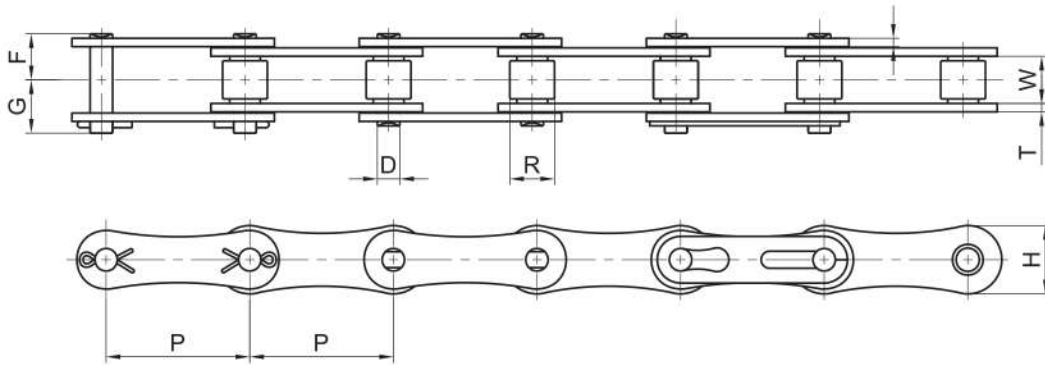
Chain	Pitch P	Roller		Plate			Pin Dia. D	Overall Width		Avg. Ult. Tensile Strength (Lbs.)	Max. Working Load (Lbs.)	Avg. Weight Per Foot (Lbs.)
		Width	Dia.	Height	Thickness			F	G			
		W	R	H	T1	T2						
04BPRO	0.236	0.110	0.157	0.197	0.024	0.024	0.073	0.132	0.175	728	132	0.087
05BPRO	0.315	0.118	0.197	0.280	0.031	0.031	0.091	0.154	0.185	1,279	243	0.108
06BPRO	0.375	0.225	0.250	0.325	0.039	0.050	0.129	0.241	0.279	2,381	397	0.276
08BPRO	0.500	0.305	0.335	0.430	0.059	0.062	0.175	0.324	0.368	4,233	882	0.443
083PRO	0.500	0.192	0.305	0.406	0.050	0.050	0.161	0.254	0.274	3,307	551	0.282
10BPRO	0.625	0.380	0.400	0.540	0.067	0.067	0.200	0.388	0.455	5,997	1,102	0.618
12BPRO	0.750	0.460	0.475	0.635	0.073	0.073	0.225	0.444	0.526	7,231	1,543	0.813
16BPRO	1.000	0.670	0.625	0.830	0.125	0.157	0.326	0.713	0.776	17,108	3,527	1.787
20BPRO	1.250	0.770	0.750	1.040	0.125	0.176	0.401	0.791	0.961	23,149	4,189	2.433
24BPRO	1.500	1.000	1.000	1.315	0.189	0.236	0.576	1.066	1.267	39,683	7,055	4.737
28BPRO	1.750	1.220	1.100	1.460	0.236	0.287	0.626	1.474	1.297	57,200	9,900	6.84
32BPRO	2.000	1.220	1.150	1.665	0.236	0.276	0.701	1.502	1.305	63,580	10,560	6.59

ANSI STANDARD DOUBLE PITCH A TYPE



ZINC-PLATED

1. Designed for **low speed** and long distance **drive applications**.
2. Zinc-plated roller chain provides **corrosion resistance** for applications with high humidity and salt water exposures or wash-downs.
3. All KSP roller chain is **pre-loaded** during the manufacturing process to minimize initial elongation.
4. **Hot-dipped lubrication** ensures 100% lubrication of all chain components to extend wear life and reduce maintenance costs.



Chain	Pitch P	Roller		Plate		Pin Dia. D	Overall Width		Avg. Ult. Tensile Strength (Lbs.)	Max. Working Load (Lbs.)	Avg. Weight Per Foot (Lbs.)
		Width W	Dia. R	Height H	Thickness T		F	G			
A2040ZP	1.000	0.312	0.312	0.475	0.060	0.157	0.324	0.406	4,189	529	0.276
A2042ZP	1.000	0.312	0.625	0.475	0.060	0.157	0.324	0.406	4,189	529	0.276
A2050ZP	1.250	0.375	0.400	0.594	0.080	0.200	0.400	0.488	6,834	792	0.457
A2052ZP	1.250	0.375	0.750	0.594	0.080	0.200	0.400	0.488	6,834	353	0.457
A2060ZP	1.500	0.500	0.469	0.712	0.094	0.235	0.501	0.601	9,259	1,144	0.638
A2062ZP	1.500	0.500	0.875	0.712	0.094	0.235	0.501	0.601	9,259	794	0.638
A2080ZP	2.000	0.625	0.625	0.950	0.125	0.313	0.650	0.803	17,637	1,936	1.176
A2082ZP	2.000	0.625	1.125	0.950	0.125	0.313	0.650	0.803	17,637	1,146	1.176

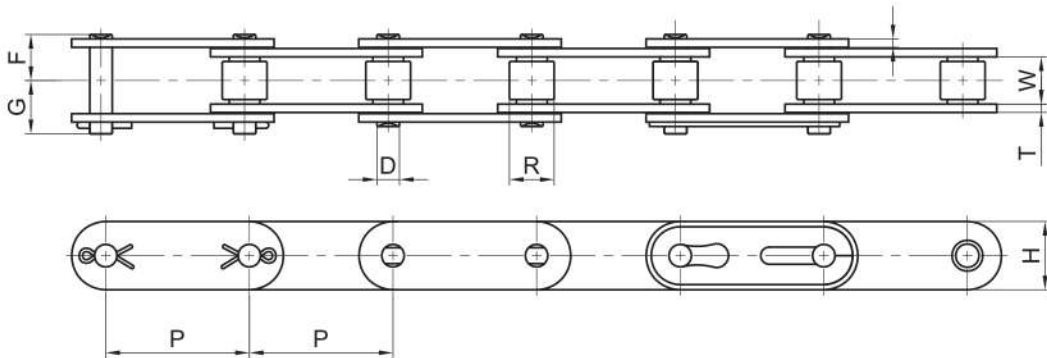
CORROSION RESISTANT

ANSI STANDARD DOUBLE PITCH C TYPE

ZINC-PLATED



1. Designed for **low speed** and long distance **conveyor applications**.
2. Zinc-plated roller chain provides **corrosion resistance** for applications with high humidity and salt water exposures or wash-downs.
3. All KSP roller chain is **pre-loaded** during the manufacturing process to minimize initial elongation.
4. **Hot-dipped lubrication** ensures 100% lubrication of all chain components to extend wear life and reduce maintenance costs.



Chain	Pitch P	Roller		Plate		Pin Dia. D	Overall Width		Avg. Ult. Tensile Strength (Lbs.)	Max. Working Load (Lbs.)	Avg. Weight Per Foot (Lbs.)
		Width	Dia.	Height	Thickness		F	G			
		W	R	H	T						
C2040ZP	1.000	0.312	0.312	0.475	0.060	0.157	0.324	0.406	4,189	529	0.316
C2042ZP	1.000	0.312	0.625	0.475	0.060	0.157	0.324	0.406	4,189	529	0.558
C2050ZP	1.250	0.375	0.400	0.594	0.080	0.200	0.400	0.488	6,834	794	0.538
C2052ZP	1.250	0.375	0.750	0.594	0.080	0.200	0.400	0.488	6,834	794	0.853
C2060ZP	1.500	0.500	0.469	0.712	0.094	0.235	0.501	0.601	9,259	1,146	0.759
C2060HWP	1.500	0.500	0.469	0.712	0.125	0.235	0.567	0.606	12,125	1,235	0.947
C2062HWP	1.500	0.500	0.875	0.712	0.125	0.235	0.567	0.606	12,125	1,235	1.431
C2080HWP	2.000	0.625	0.625	0.950	0.156	0.313	0.715	0.888	20,503	2,116	1.599
C2082HWP	2.000	0.625	1.125	0.950	0.156	0.313	0.715	0.888	20,503	2,116	2.318
C2100HWP	2.500	0.750	0.750	1.187	0.187	0.376	0.860	0.998	30,865	3,263	2.459
C2102HWP	2.500	0.750	1.562	1.187	0.187	0.376	0.860	0.998	30,865	3,263	3.944
C2120HWP	3.000	1.000	0.875	1.369	0.219	0.437	1.072	1.265	40,345	4,409	3.481
C2122HWP	3.000	1.000	1.750	1.369	0.219	0.437	1.072	1.265	40,345	4,409	5.436
C2160HWP	4.000	1.250	1.125	1.900	0.281	0.562	1.339	1.546	69,446	7,408	5.745
C2162HWP	4.000	1.250	2.250	1.900	0.281	0.562	1.339	1.546	69,446	7,408	8.729

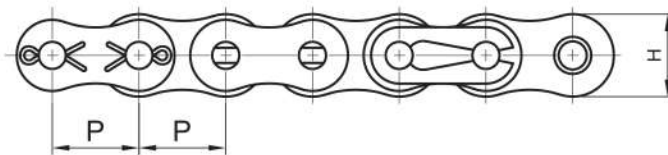
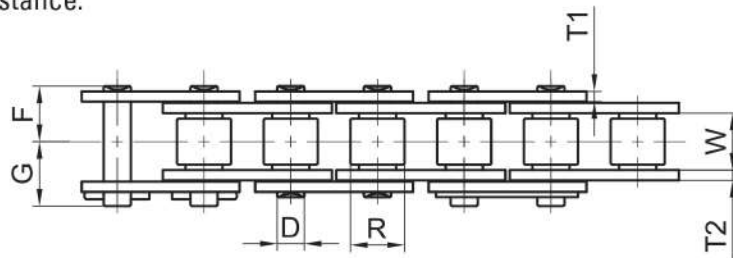
CORROSION RESISTANT

ISO BRITISH METRIC STANDARD



ZINC-PLATED

1. Zinc-plated roller chain provides **corrosion resistance** for applications with high humidity and salt water exposures or wash-downs.
2. All chain components are **heat-treated** to achieve maximum strength and greater wear resistance.
3. All KSP roller chain is **pre-loaded** during the manufacturing process to minimize initial elongation.
4. **Hot-dipped lubrication** ensures 100% lubrication of all chain components to extend wear life and reduce maintenance costs.



Chain	Pitch P	Roller		Plate			Pin Dia. D	Overall Width		Avg. Ult. Tensile Strength (Lbs.)	Max. Working Load (Lbs.)	Avg. Weight Per Foot (Lbs.)
		Width W	Dia. R	Height H	Thickness			F	G			
					T1	T2						
04BZP	0.236	0.110	0.157	0.197	0.024	0.024	0.073	0.132	0.175	728	132	0.087
05BZP	0.315	0.118	0.197	0.280	0.031	0.031	0.091	0.154	0.185	1,280	243	0.108
06BZP	0.375	0.225	0.250	0.325	0.039	0.050	0.129	0.241	0.279	2,383	397	0.276
08BZP	0.500	0.305	0.335	0.465	0.059	0.062	0.175	0.324	0.368	4,236	883	0.443
083ZP	0.500	0.192	0.305	0.406	0.050	0.050	0.161	0.254	0.274	3,310	552	0.282
10BZP	0.625	0.380	0.400	0.580	0.067	0.067	0.200	0.388	0.455	6,001	1,103	0.618
12BZP	0.750	0.460	0.475	0.635	0.073	0.073	0.225	0.444	0.526	7,237	1,544	0.813
16BZP	1.000	0.670	0.625	0.830	0.125	0.157	0.326	0.713	0.776	17,122	3,530	1.787
20BZP	1.250	0.770	0.750	1.040	0.125	0.176	0.401	0.791	0.961	23,167	4,192	2.433
24BZP	1.500	1.000	1.000	1.315	0.189	0.236	0.576	1.066	1.267	39,716	7,061	4.737
28BZP	1.750	1.220	1.100	1.460	0.236	0.287	0.626	1.474	1.297	57,367	9,929	6.437
32BZP	2.000	1.220	1.150	1.665	0.236	0.276	0.701	1.502	1.305	63,766	10,591	6.196

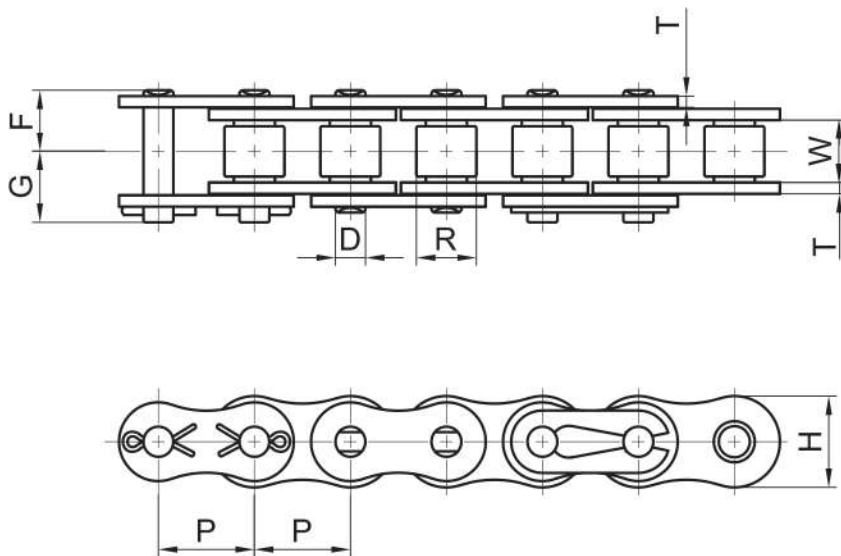
CORROSION RESISTANT

ANSI STANDARD SINGLE STRAND

STAINLESS STEEL SS



1. Provides **exceptional corrosion resistance** and commonly used in applications with high humidity, outdoor environments, and saltwater applications.
2. Commonly used in **food processing** or applications where chain is exposed to **chemicals**.
3. Used in **high** and **low** temperature environments.
4. All KSP roller chain is **pre-loaded** during the manufacturing process to minimize initial elongation.



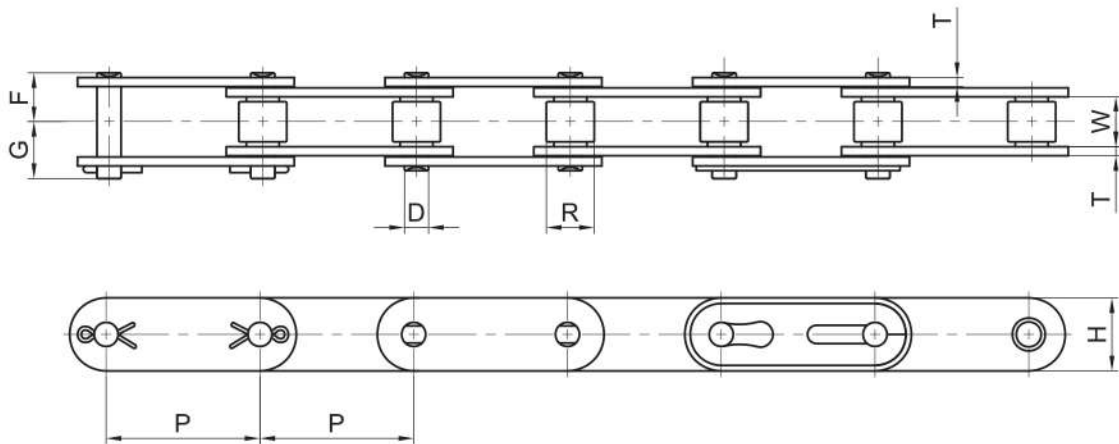
Chain	Pitch P	Roller		Plate		Pin Dia. D	Overall Width		Avg. Ult. Tensile Strength (Lbs.)	Max. Working Load (Lbs.)	Avg. Weight Per Foot (Lbs.)
		Width	Dia.	Height	Thickness		F	G			
		W	R	H	T						
25SS	0.250	0.125	0.130	0.228	0.030	0.091	0.154	0.185	473	18	0.090
35SS	0.375	0.188	0.200	0.356	0.050	0.142	0.232	0.277	1,755	65	0.240
41SS	0.500	0.250	0.306	0.390	0.050	0.142	0.263	0.334	1,600	90	0.290
40SS	0.500	0.312	0.312	0.475	0.060	0.157	0.324	0.406	2,880	108	0.420
50SS	0.625	0.375	0.400	0.594	0.080	0.200	0.400	0.488	4,500	171	0.710
60SS	0.750	0.500	0.469	0.712	0.094	0.235	0.501	0.601	5,940	225	0.970
80SS	1.000	0.625	0.625	0.950	0.125	0.313	0.650	0.803	10,710	405	1.680
100SS	1.250	0.750	0.750	1.187	0.156	0.376	0.781	0.950	12,600	473	2.540
120SS	1.500	1.000	0.875	1.425	0.187	0.437	1.005	1.174	17,775	675	3.790

ANSI STANDARD DOUBLE PITCH

STAINLESS STEEL PHSS



1. Provides **exceptional corrosion resistance** for applications requiring higher working loads.
2. Working load of 600 series is **higher than** 304 and 316 series.
3. Used in **high** and **low** temperature environments.
4. All KSP roller chain is **pre-loaded** during the manufacturing process to minimize initial elongation.



Chain	Pitch P	Roller		Plate		Pin Dia. D	Overall Width		Avg. Ult. Tensile Strength (Lbs.)	Max. Working Load (Lbs.)	Avg. Weight Per Foot (Lbs.)
		Width	Dia.	Height	Thickness		F	G			
		W	R	H	T						
C2040PHSS	1.000	0.312	0.312	0.475	0.060	0.157	0.324	0.406	2,750	160	0.316
C2042PHSS	1.000	0.312	0.625	0.475	0.060	0.157	0.324	0.406	2,750	160	0.558
C2050PHSS	1.250	0.375	0.400	0.594	0.080	0.200	0.400	0.488	4,950	229	0.538
C2052PHSS	1.250	0.375	0.750	0.594	0.080	0.200	0.400	0.488	4,950	229	0.853
C2060PHSS	1.500	0.500	0.469	0.712	0.094	0.235	0.501	0.601	6,160	352	0.759
C2060HPHSS	1.500	0.500	0.469	0.712	0.125	0.235	0.567	0.606	6,600	380	0.947
C2062HPHSS	1.500	0.500	0.875	0.712	0.125	0.235	0.567	0.606	6,600	380	1.431
C2080HPHSS	2.000	0.625	0.625	0.950	0.156	0.313	0.715	0.888	11,440	629	1.599
C2082HPHSS	2.000	0.625	1.125	0.950	0.156	0.313	0.715	0.888	11,440	629	2.318

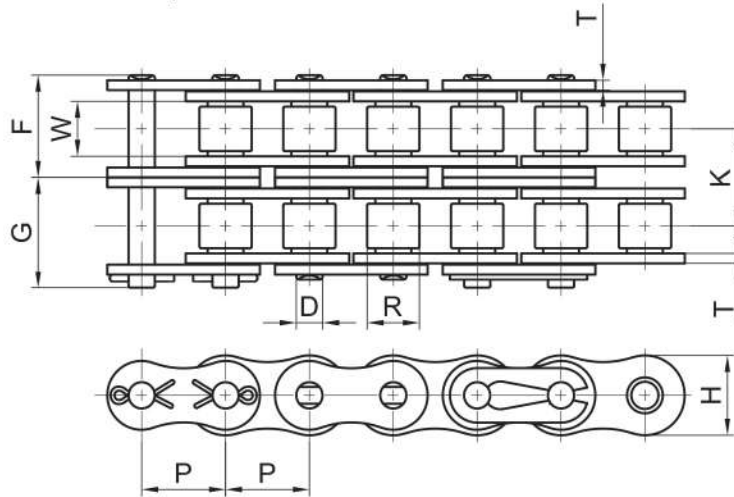
CORROSION RESISTANT

ANSI STANDARD MULTI STRAND



STAINLESS STEEL SS

1. Provides **exceptional corrosion resistance** and commonly used in applications with high humidity, outdoor environments, and saltwater applications.
2. Commonly used in **food processing** or applications where chain is exposed to **chemicals**.
3. Used in **high** and **low** temperature environments.
4. All KSP roller chain is **pre-loaded** during the manufacturing process to minimize initial elongation.



Chain	Pitch	Roller		Plate		Pin Dia.	Overall Width		Transverse Pitch	Avg. Ult. Tensile Strength (Lbs.)	Max. Working Load (Lbs.)	Avg. Weight Per Foot (Lbs.)
		Width	Dia.	Height	Thickness		F	G				
	P	W	R	H	T	D	F	G	K			
25-2SS	0.250	0.125	0.130	0.228	0.030	0.091	0.280	0.311	0.252	945	36	0.168
25-3SS	0.250	0.125	0.130	0.228	0.030	0.091	0.415	0.446	0.252	1,360	49	0.29
35-2SS	0.375	0.188	0.200	0.356	0.050	0.142	0.441	0.469	0.399	3,510	130	0.460
35-3SS	0.375	0.188	0.200	0.356	0.050	0.142	0.633	0.704	0.399	3,860	139	0.75
40-2SS	0.500	0.312	0.312	0.475	0.060	0.157	0.608	0.690	0.566	5,760	216	0.850
40-3SS	0.500	0.312	0.312	0.475	0.060	0.157	0.890	0.975	0.566	6,000	216	1.36
50-2SS	0.625	0.375	0.400	0.594	0.080	0.200	0.755	0.850	0.713	9,000	342	1.370
50-3SS	0.625	0.375	0.400	0.594	0.080	0.200	1.113	1.207	0.713	11,420	411	2.21
60-2SS	0.750	0.500	0.469	0.712	0.094	0.235	0.949	1.055	0.897	11,880	450	2.040
60-3SS	0.750	0.500	0.469	0.712	0.094	0.235	1.400	1.506	0.897	13,860	499	3.24
80-2SS	1.000	0.625	0.625	0.950	0.125	0.313	1.224	1.386	1.153	21,420	910	3.410
80-3SS	1.000	0.625	0.625	0.950	0.125	0.313	1.799	1.965	1.153	26,100	940	5.64
100-2SS	1.250	0.750	0.750	1.187	0.156	0.376	1.502	1.655	1.408	25,200	945	5.282
100-3SS	1.250	0.750	0.750	1.187	0.156	0.376	2.224	2.338	1.408	33,920	1,221	8.41
120-2SS	1.500	1.000	0.875	1.425	0.187	0.437	1.895	2.060	1.789	25,200	1,350	8.36
120-3SS	1.500	1.000	0.875	1.425	0.187	0.437	2.773	2.974	1.789	52,460	1,889	12.52

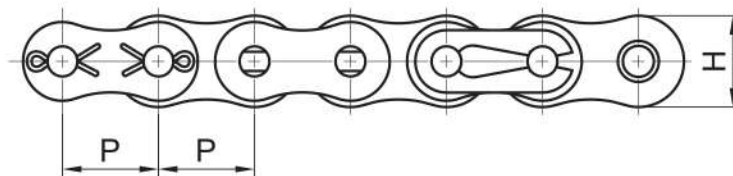
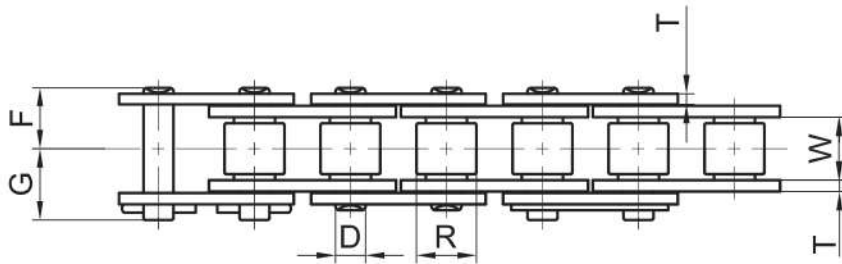
CORROSION RESISTANT

ANSI STANDARD HEAVY H SERIES

STAINLESS STEEL SS



1. Provides **exceptional corrosion resistance** and commonly used in applications with high humidity, outdoor environments, and saltwater applications.
2. Commonly used in **food processing** or applications where chain is exposed to **chemicals**.
3. Used in **high** and **low** temperature environments.
4. All KSP roller chain is **pre-loaded** during the manufacturing process to minimize initial elongation.

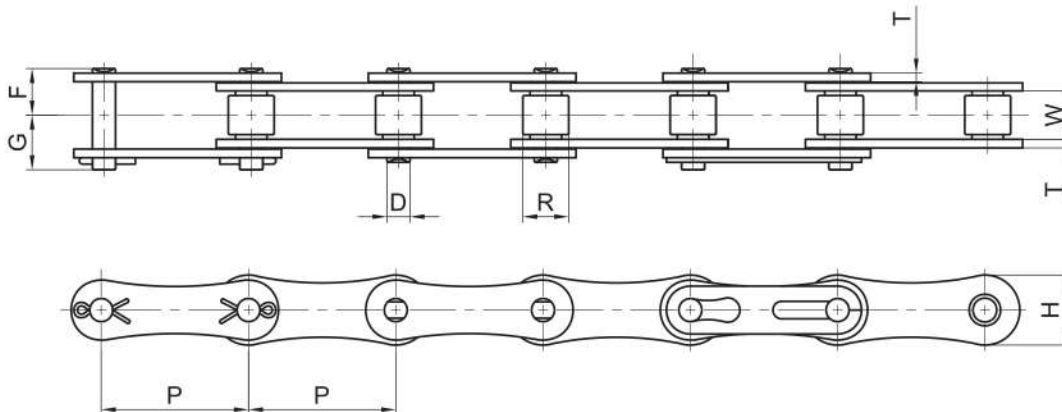


Chain	Pitch P	Roller		Plate		Pin Dia. D	Overall Width		Avg. Ult. Tensile Strength (Lbs.)	Max. Working Load (Lbs.)	Avg. Weight Per Foot (Lbs.)
		Width	Dia.	Height	Thickness		F	G			
		W	R	H	T						
40HSS	0.500	0.312	0.312	0.480	0.080	0.157	0.361	0.456	2,688	97	0.500
50HSS	0.625	0.375	0.400	0.573	0.094	0.200	0.435	0.474	4,771	172	0.766
60HSS	0.750	0.500	0.469	0.765	0.125	0.235	0.567	0.618	5,667	204	1.163
80HSS	1.000	0.625	0.625	0.956	0.156	0.313	0.715	0.793	10,237	369	1.996
100HSS	1.250	0.750	0.750	1.146	0.187	0.376	0.860	0.998	14,918	537	3.017
120HSS	1.500	1.000	0.875	1.464	0.219	0.437	1.072	1.265	22,019	793	4.207

CORROSION RESISTANT

ANSI STANDARD DOUBLE PITCH A TYPE
STAINLESS STEEL SS


1. Provides **exceptional corrosion resistance** and commonly used in applications with high humidity, outdoor environments, and saltwater applications.
2. Commonly used in **food processing** or applications where chain is exposed to **chemicals**.
3. Used in **high** and **low** temperature environments.
4. All KSP roller chain is **pre-loaded** during the manufacturing process to minimize initial elongation.



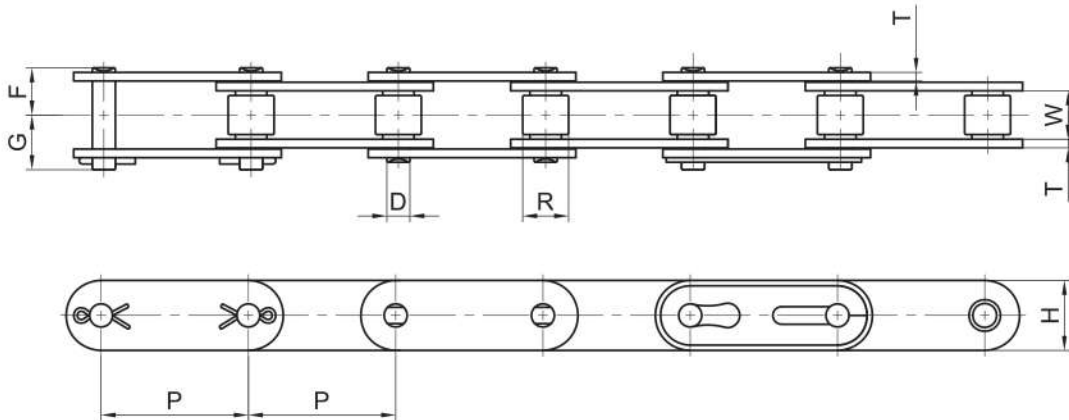
Chain	Pitch P	Roller		Plate		Pin Dia. D	Overall Width		Avg. Ult. Tensile Strength (Lbs.)	Max. Working Load (Lbs.)	Avg. Weight Per Foot (Lbs.)
		Width	Dia.	Height	Thickness		F	G			
		W	R	H	T						
A2040SS	1.000	0.312	0.312	0.475	0.060	0.157	0.324	0.406	2,880	108	0.276
A2042SS	1.000	0.312	0.625	0.475	0.060	0.157	0.324	0.406	2,688	430	0.276
A2050SS	1.250	0.375	0.400	0.594	0.080	0.200	0.400	0.488	4,500	171	0.457
A2052SS	1.250	0.375	0.750	0.594	0.080	0.200	0.400	0.488	4,500	171	0.457
A2060SS	1.500	0.500	0.469	0.712	0.094	0.235	0.501	0.601	5,940	225	0.638
A2062SS	1.500	0.500	0.875	0.712	0.094	0.235	0.501	0.601	5,940	225	0.638
A2080SS	2.000	0.625	0.625	0.950	0.125	0.313	0.650	0.803	10,710	405	1.176
A2082SS	2.000	0.625	1.125	0.950	0.125	0.313	0.650	0.803	10,710	405	1.176

ANSI STANDARD DOUBLE PITCHC TYPE

STAINLESS STEEL SS



1. Provides **exceptional corrosion resistance** and commonly used in applications with high humidity, outdoor environments, and saltwater applications.
2. Commonly used in **food processing** or applications where chain is exposed to **chemicals**.
3. Used in **high** and **low** temperature environments.
4. All KSP roller chain is **pre-loaded** during the manufacturing process to minimize initial elongation.



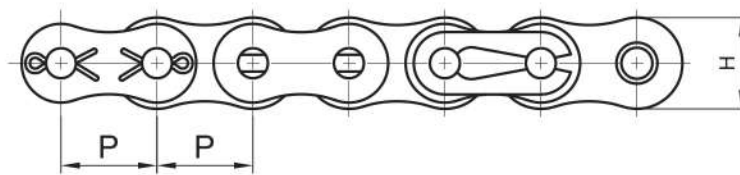
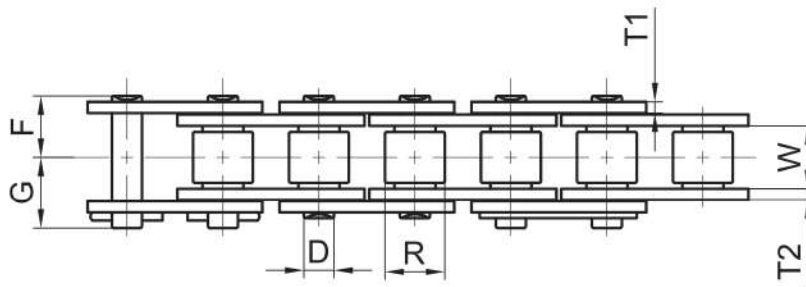
Chain	Pitch P	Roller		Plate		Pin Dia. D	Overall Width		Avg. Ult. Tensile Strength (Lbs.)	Max. Working Load (Lbs.)	Avg. Weight Per Foot (Lbs.)
		Width W	Dia. R	Height H	Thickness T		F	G			
C2040SS	1.000	0.312	0.312	0.475	0.060	0.157	0.324	0.406	2,880	108	0.316
C2042SS	1.000	0.312	0.625	0.475	0.060	0.157	0.324	0.406	2,880	108	0.558
C2050SS	1.250	0.375	0.400	0.594	0.080	0.200	0.400	0.488	4,500	171	0.538
C2052SS	1.250	0.375	0.750	0.594	0.080	0.200	0.400	0.488	4,500	171	0.853
C2060SS	1.500	0.500	0.469	0.712	0.094	0.235	0.501	0.601	5,940	225	0.759
C2060HSS	1.500	0.500	0.469	0.712	0.125	0.235	0.567	0.606	6,821	259	0.947
C2062HSS	1.500	0.500	0.875	0.712	0.125	0.235	0.567	0.606	6,821	259	1.431
C2080HSS	2.000	0.625	0.625	0.950	0.156	0.313	0.715	0.888	11,995	453	1.599
C2082HSS	2.000	0.625	1.125	0.950	0.156	0.313	0.715	0.888	11,995	453	2.318
C2100HSS	2.500	0.750	0.750	1.187	0.187	0.376	0.860	0.998	13,230	496	2.459
C2102HSS	2.500	0.750	1.562	1.187	0.187	0.376	0.860	0.998	13,230	496	3.944
C2120HSS	3.000	1.000	0.875	1.369	0.219	0.437	1.072	1.265	18,663	708	3.481
C2122HSS	3.000	1.000	1.750	1.369	0.219	0.437	1.072	1.265	18,663	708	5.436

ISO BRITISH METRIC STANDARD



STAINLESS STEEL SS

1. Provides **exceptional corrosion resistance** and commonly used in applications with high humidity, outdoor environments, and saltwater applications.
2. Commonly used in **food processing** or applications where chain is exposed to **chemicals**.
3. Used in **high** and **low** temperature environments.
4. All KSP roller chain is **pre-loaded** during the manufacturing process to minimize initial elongation.



Chain	Pitch P	Roller		Plate			Pin Dia. D	Overall Width		Avg. Ult. Tensile Strength (Lbs.)	Max. Working Load (Lbs.)	Avg. Weight Per Foot (Lbs.)
		Width	Dia.	Height	Thickness			F	G			
		W	R	H	T1	T2						
04BSS	0.236	0.110	0.157	0.197	0.024	0.024	0.073	0.132	0.175			0.087
05BSS	0.315	0.118	0.197	0.280	0.031	0.031	0.091	0.154	0.185	941	34	0.108
06BSS	0.375	0.225	0.250	0.325	0.039	0.050	0.129	0.241	0.279	1,277	46	0.276
08BSS	0.500	0.305	0.335	0.465	0.059	0.062	0.175	0.324	0.368	2,733	98	0.443
083SS	0.500	0.192	0.305	0.406	0.050	0.050	0.161	0.254	0.274			0.282
10BSS	0.625	0.380	0.400	0.580	0.067	0.067	0.200	0.388	0.455	3,402	122	0.618
12BSS	0.750	0.460	0.475	0.635	0.073	0.073	0.225	0.444	0.574	3,717	134	0.813
16BSS	1.000	0.670	0.625	0.830	0.125	0.157	0.326	0.713	0.776	9,807	353	1.787
20BSS	1.250	0.770	0.750	1.040	0.125	0.176	0.401	0.791	0.961	13,503	486	2.433
24BSS	1.500	1.000	1.000	1.315	0.189	0.236	0.576	1.066	1.267	24,276	874	4.737

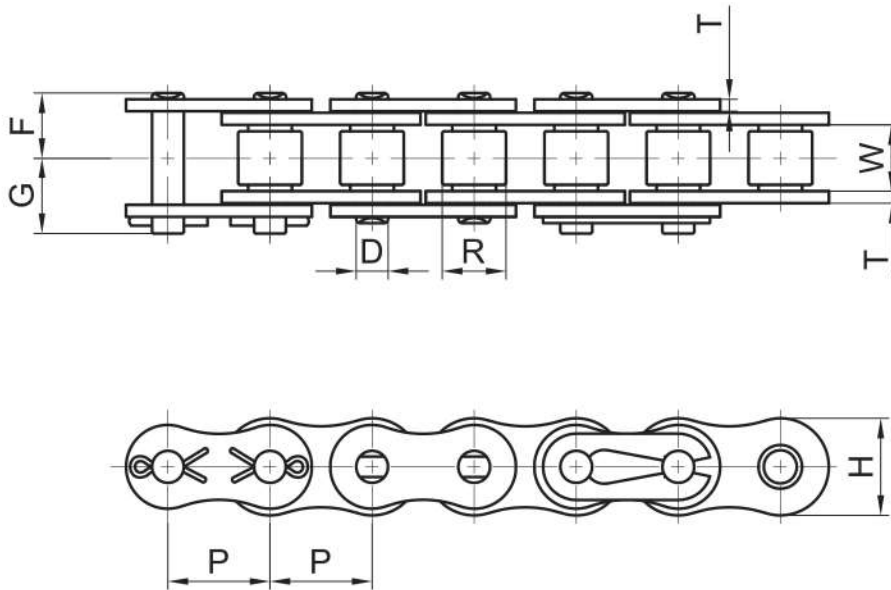
CORROSION RESISTANT

ANSI STANDARD

STAINLESS STEEL MSS



1. Provides **superior corrosion resistance** for chemical and acidic environments, especially where chlorine and sulfur are present.
2. Commonly used in **food contact** or **low magnetic permeable** applications.
3. Used in **high** and **low** temperature environments.
4. All KSP roller chain is **pre-loaded** during the manufacturing process to minimize initial elongation.



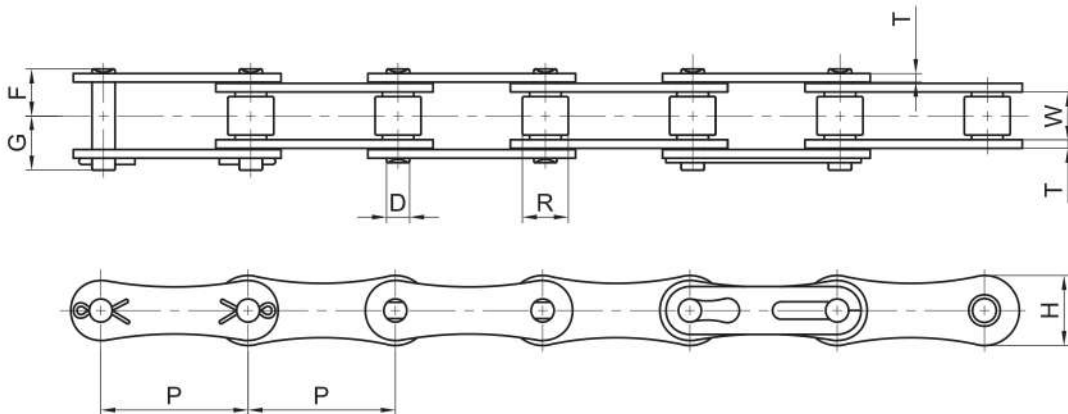
Chain	Pitch P	Roller		Plate		Pin Dia. D	Overall Width		Avg. Ult. Tensile Strength (Lbs.)	Max. Working Load (Lbs.)	Avg. Weight Per Foot (Lbs.)
		Width	Dia.	Height	Thickness		F	G			
		W	R	H	T						
25MSS	0.250	0.125	0.130	0.228	0.030	0.091	0.154	0.185	473	18	0.090
35MSS	0.375	0.188	0.200	0.356	0.050	0.142	0.232	0.277	1,755	65	0.240
41MSS	0.500	0.250	0.306	0.390	0.050	0.142	0.263	0.334	1,600	90	0.290
40MSS	0.500	0.312	0.312	0.475	0.060	0.157	0.324	0.406	2,880	108	0.420
50MSS	0.625	0.375	0.400	0.594	0.080	0.200	0.400	0.488	4,500	171	0.710
60MSS	0.750	0.500	0.469	0.712	0.094	0.235	0.501	0.601	5,940	225	0.970
80MSS	1.000	0.625	0.625	0.950	0.125	0.313	0.650	0.803	10,710	405	1.680
100MSS	1.250	0.750	0.750	1.187	0.156	0.376	0.781	0.950	12,600	473	2.540
120MSS	1.500	1.000	0.875	1.425	0.187	0.437	1.005	1.174	17,775	675	3.790

ANSI STANDARD DOUBLE PITCH A TYPE

STAINLESS STEEL MSS



1. Provides **superior corrosion resistance** for chemical and acidic environments, especially where chlorine and sulfur are present.
2. Commonly used in **food contact** or **low magnetic permeable** applications.
3. Used in **high** and **low** temperature environments.
4. All KSP roller chain is **pre-loaded** during the manufacturing process to minimize initial elongation.



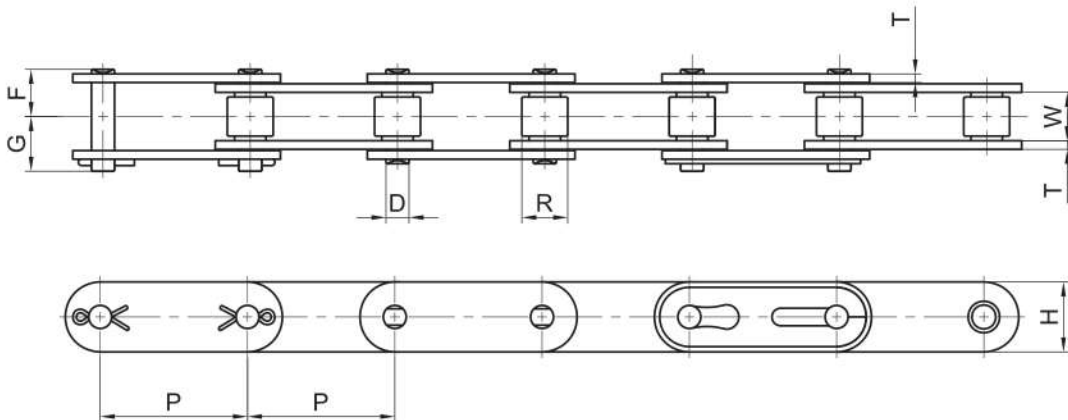
Chain	Pitch P	Roller		Plate		Pin Dia. D	Overall Width		Avg. Ult. Tensile Strength (Lbs.)	Max. Working Load (Lbs.)	Avg. Weight Per Foot (Lbs.)
		Width	Dia.	Height	Thickness		F	G			
		W	R	H	T						
A2040MSS	1.000	0.312	0.312	0.475	0.060	0.157	0.324	0.406	2,880	108	0.276
A2042MSS	1.000	0.312	0.625	0.475	0.060	0.157	0.324	0.406	2,688	430	0.276
A2050MSS	1.250	0.375	0.400	0.594	0.080	0.200	0.400	0.488	4,500	171	0.457
A2052MSS	1.250	0.375	0.750	0.594	0.080	0.200	0.400	0.488	4,500	171	0.457
A2060MSS	1.500	0.500	0.469	0.712	0.094	0.235	0.501	0.601	5,940	225	0.638
A2062MSS	1.500	0.500	0.875	0.712	0.094	0.235	0.501	0.601	5,940	225	0.638
A2080MSS	2.000	0.625	0.625	0.950	0.125	0.313	0.650	0.803	10,710	405	1.176
A2082MSS	2.000	0.625	1.125	0.950	0.125	0.313	0.650	0.803	10,710	405	1.176

ANSI STANDARD DOUBLE PITCH C TYPE

STAINLESS STEEL MSS



1. Provides **superior corrosion resistance** for chemical and acidic environments, especially where chlorine and sulfur are present.
2. Commonly used in **food contact** or **low magnetic permeable** applications.
3. Used in **high** and **low** temperature environments.
4. All KSP roller chain is **pre-loaded** during the manufacturing process to minimize initial elongation.



Chain	Pitch P	Roller		Plate		Pin Dia. D	Overall Width		Avg. Ult. Tensile Strength (Lbs.)	Max. Working Load (Lbs.)	Avg. Weight Per Foot (Lbs.)
		Width W	Dia. R	Height H	Thickness T		F	G			
C2040MSS	1.000	0.312	0.312	0.475	0.060	0.157	0.324	0.406	2,880	108	0.316
C2042MSS	1.000	0.312	0.625	0.475	0.060	0.157	0.324	0.406	2,880	108	0.558
C2050MSS	1.250	0.375	0.400	0.594	0.080	0.200	0.400	0.488	4,500	171	0.538
C2052MSS	1.250	0.375	0.750	0.594	0.080	0.200	0.400	0.488	4,500	171	0.853
C2060MSS	1.500	0.500	0.469	0.712	0.094	0.235	0.501	0.601	5,940	225	0.759
C2060HMSS	1.500	0.500	0.469	0.712	0.125	0.235	0.567	0.606	6,821	259	0.947
C2062HMSS	1.500	0.500	0.875	0.712	0.125	0.235	0.567	0.606	6,821	259	1.431
C2080HMSS	2.000	0.625	0.625	0.950	0.156	0.313	0.715	0.888	11,995	453	1.599
C2082HMSS	2.000	0.625	1.125	0.950	0.156	0.313	0.715	0.888	11,995	453	2.318
C2100HMSS	2.500	0.750	0.750	1.187	0.187	0.376	0.860	0.998	13,230	496	2.459
C2102HMSS	2.500	0.750	1.562	1.187	0.187	0.376	0.860	0.998	13,230	496	3.944
C2120HMSS	3.000	1.000	0.875	1.369	0.219	0.437	1.072	1.265	18,663	708	3.481
C2122HMSS	3.000	1.000	1.750	1.369	0.219	0.437	1.072	1.265	18,663	708	5.436

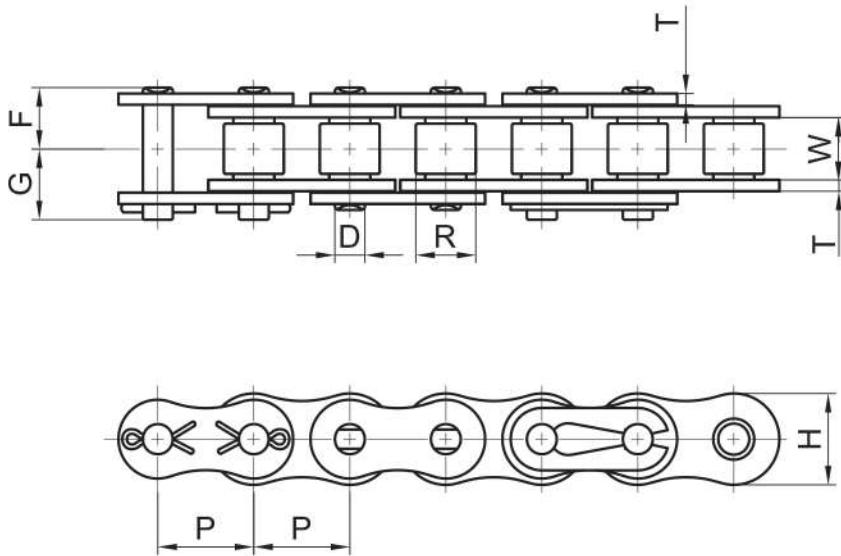
CORROSION RESISTANT

ANSI STANDARD

STAINLESS STEEL PHSS



1. Provides **exceptional corrosion resistance** for applications requiring higher working loads.
2. Working load of 600 series is **higher than** 304 and 316 series.
3. Used in **high** and **low** temperature environments.
4. All KSP roller chain is **pre-loaded** during the manufacturing process to minimize initial elongation.



Chain	Pitch P	Roller		Plate		Pin Dia. D	Overall Width		Avg. Ult. Tensile Strength (Lbs.)	Max. Working Load (Lbs.)	Avg. Weight Per Foot (Lbs.)
		Width	Dia.	Height	Thickness		F	G			
		W	R	H	T						
25PHSS	0.250	0.125	0.130	0.228	0.030	0.091	0.154	0.185	638	30	0.090
35PHSS	0.375	0.188	0.200	0.356	0.050	0.142	0.232	0.303	1,694	90	0.240
40PHSS	0.500	0.312	0.312	0.475	0.060	0.157	0.324	0.406	3,190	160	0.420
50PHSS	0.625	0.375	0.400	0.594	0.080	0.200	0.400	0.488	5,324	229	0.710
60PHSS	0.750	0.500	0.469	0.712	0.094	0.235	0.501	0.601	7,095	352	0.970
80PHSS	1.000	0.625	0.625	0.950	0.125	0.313	0.650	0.803	13,244	595	1.680
100PHSS	1.250	0.750	0.750	1.187	0.156	0.376	0.781	0.950	12,600	663	2.540
120PHSS	1.500	1.000	0.875	1.425	0.187	0.437	1.005	1.174	20,441	945	3.790