



# DOUBLE PITCH

A  
T  
T  
A  
C  
H  
M  
E  
N  
T

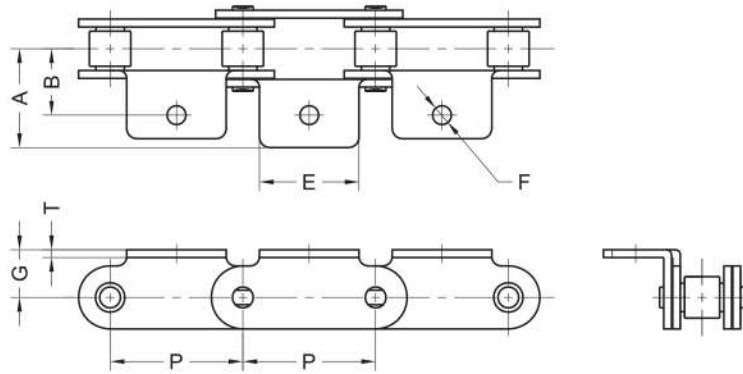


**ANSI STANDARD DOUBLE PITCH ATTACHMENT CHAIN**

**ATTACHMENTS A-1 K-1**

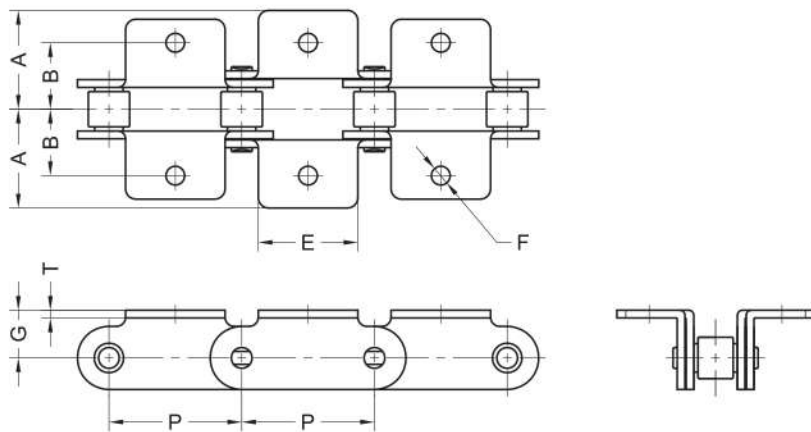
**A-1**

Bent one side with one hole in each tab



**K-1**

Bent two sides with one hole in each tab



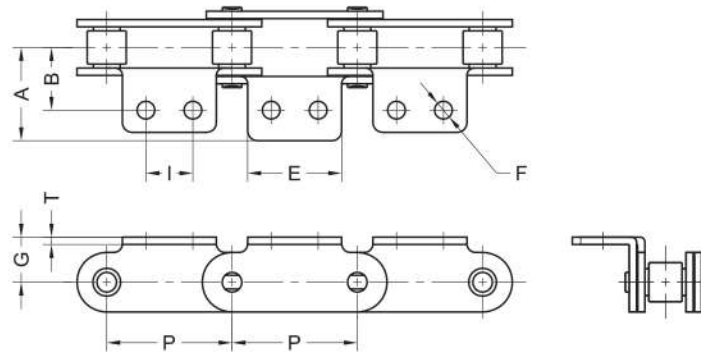
Chain	Pitch	Attachment dimensions					
	P	A	B	E	F	G	T
C2040	1.000	0.742	0.500	0.750	0.141	0.359	0.060
C2050	1.250	0.945	0.625	1.000	0.203	0.438	0.080
C2060H	1.500	1.203	0.844	1.125	0.203	0.578	0.125
C2080H	2.000	1.575	1.094	1.500	0.266	0.750	0.156
C2100H	2.500	1.965	1.312	1.875	0.328	0.922	0.187
C2120H	3.000	2.390	1.562	2.250	0.391	1.094	0.219
C2160H	4.000	3.157	2.062	2.965	0.518	1.438	0.281

ANSI STANDARD DOUBLE PITCH ATTACHMENT CHAIN

# ATTACHMENTS A-2 K-2

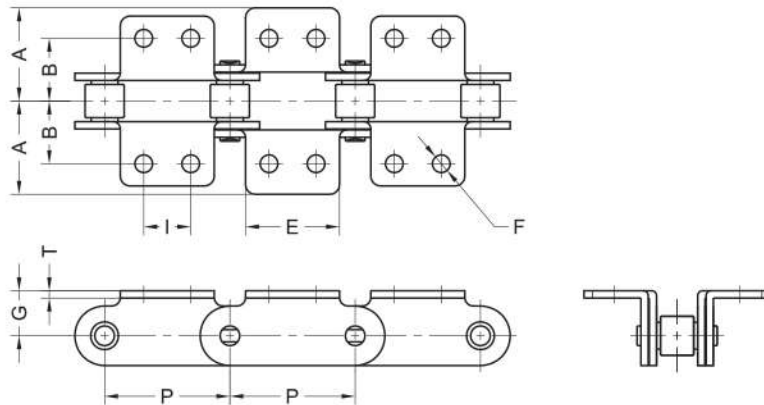
## A-2

Bent one side with two holes in each tab



## K-2

Bent two sides with two holes in each tab



Chain	Pitch	Attachment dimensions						
		P	A	B	E	F	G	I
C2040	1.000	0.742	0.500	0.750	0.141	0.359	0.375	0.060
C2050	1.250	0.945	0.625	1.000	0.203	0.438	0.469	0.080
C2060H	1.500	1.203	0.844	1.125	0.203	0.578	0.562	0.125
C2080H	2.000	1.575	1.094	1.500	0.266	0.750	0.750	0.156
C2100H	2.500	1.965	1.312	1.875	0.328	0.922	0.937	0.187
C2120H	3.000	2.390	1.562	2.250	0.391	1.094	1.125	0.219
C2160H	4.000	3.157	2.062	2.965	0.518	1.438	1.500	0.281

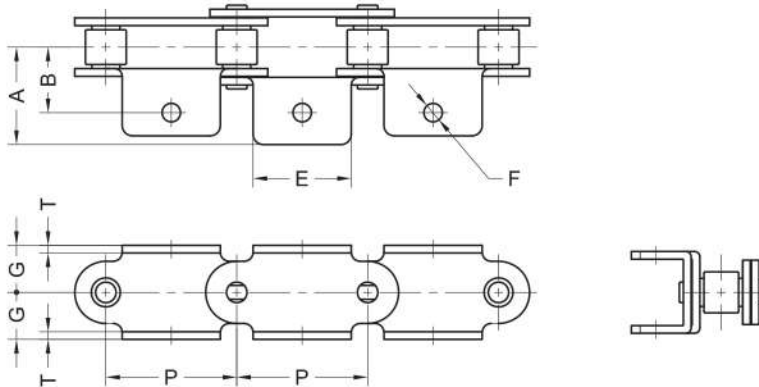


**ANSI STANDARD DOUBLE PITCH ATTACHMENT CHAIN**

## ATTACHMENTS AA-1 KK-1

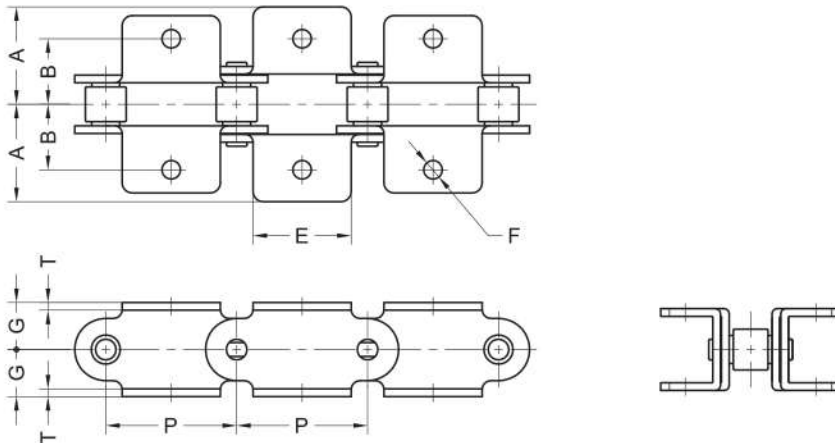
### AA-1

Two bends one side with one hole in each tab



### KK-1

Two bends two sides with one hole in each tab



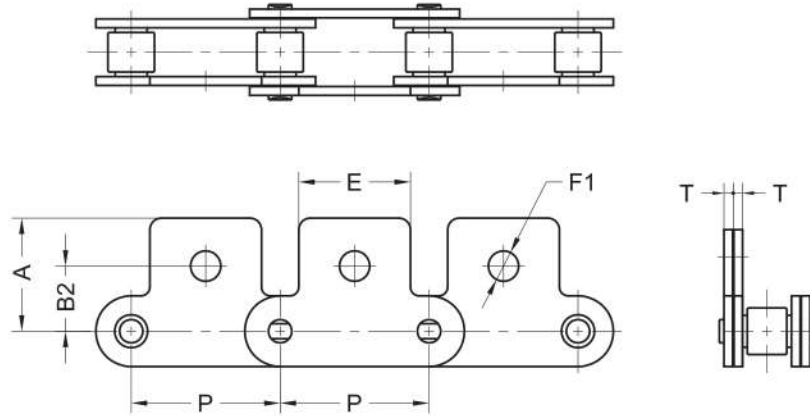
Chain	Pitch	Attachment dimensions					
	P	A	B	E	F	G	T
C2040	1.000	0.742	0.500	0.750	0.141	0.359	0.060
C2050	1.250	0.945	0.625	1.000	0.203	0.438	0.080
C2060H	1.500	1.203	0.844	1.125	0.203	0.578	0.125
C2080H	2.000	1.575	1.094	1.500	0.266	0.750	0.156
C2100H	2.500	1.965	1.312	1.875	0.328	0.922	0.187
C2120H	3.000	2.390	1.562	2.250	0.391	1.094	0.219
C2160H	4.000	3.157	2.062	2.965	0.518	1.438	0.281

ANSI STANDARD DOUBLE PITCH ATTACHMENT CHAIN

# ATTACHMENTS SA-1 SK-1

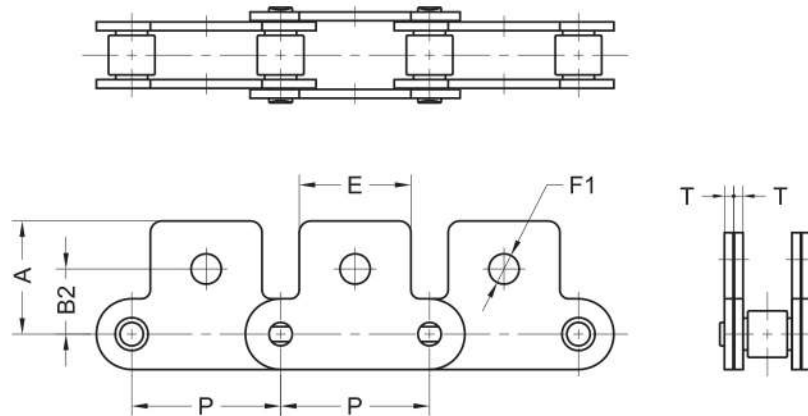
## SA-1

Straight one side with one hole in each tab



## SK-1

Straight two sides with one hole in each tab



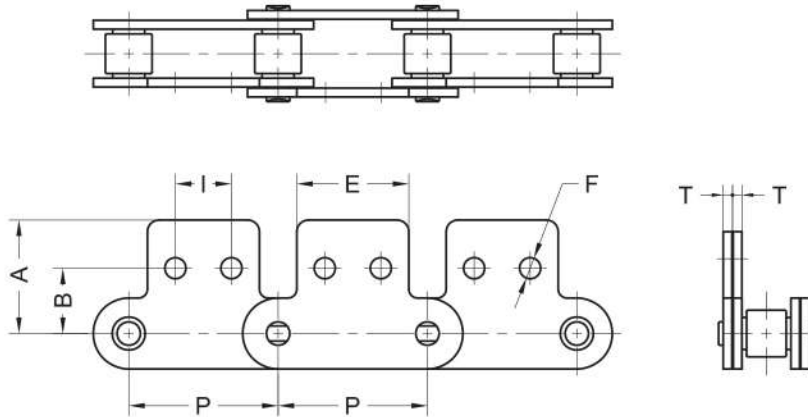
Chain	Pitch	Attachment dimensions				
	P	A	B2	E	F	T
C2040	0.375	0.759	0.438	0.750	0.203	0.060
C2050	0.375	0.969	0.562	1.000	0.250	0.080
C2060H	0.500	1.172	0.688	1.125	0.328	0.125
C2080H	0.500	1.500	0.875	1.500	0.391	0.156
C2100H	0.500	1.984	1.125	1.875	0.516	0.187
C2120H	0.625	2.359	1.312	2.250	0.578	0.219
C2160H	0.625	3.025	1.750	2.965	0.766	0.281

**ANSI STANDARD DOUBLE PITCH ATTACHMENT CHAIN**

## ATTACHMENTS SA-2 SK-2

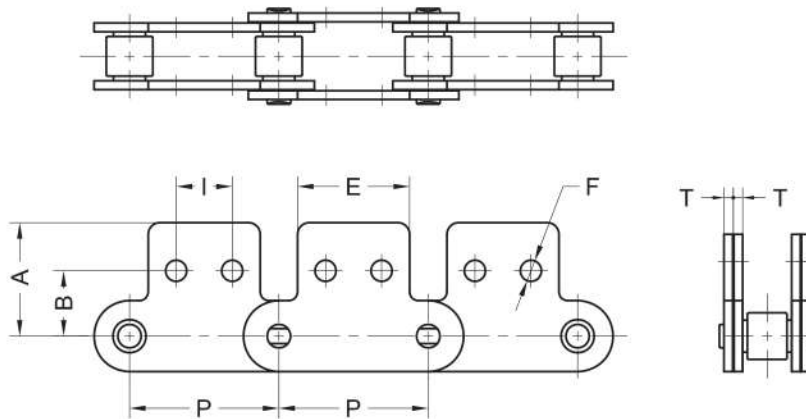
### SA-2

Straight one side with two holes in each tab



### SK-2

Straight two sides with two holes in each tab



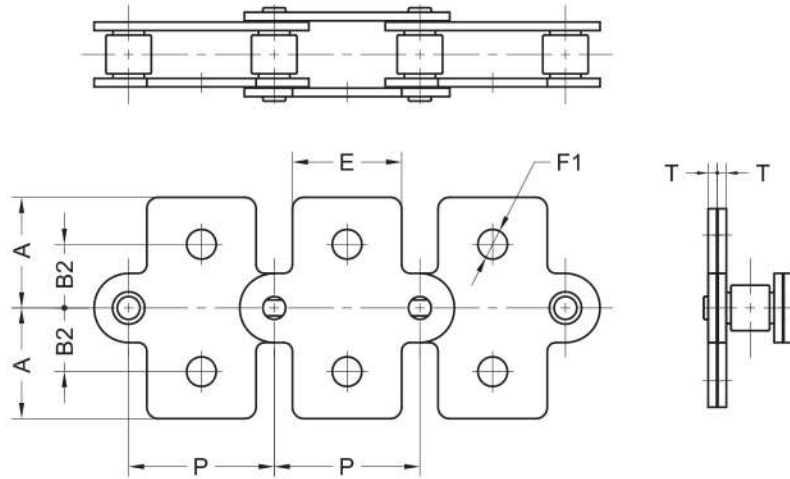
Chain	Pitch	Attachment dimensions					
	P	A	B	E	F	I	T
C2040	0.375	0.759	0.531	0.750	0.141	0.375	0.060
C2050	0.375	0.969	0.625	1.000	0.203	0.469	0.080
C2060H	0.500	1.172	0.750	1.125	0.203	0.562	0.125
C2080H	0.500	1.500	1.000	1.500	0.266	0.750	0.156
C2100H	0.500	1.984	1.250	1.875	0.328	0.938	0.187
C2120H	0.625	2.359	1.469	2.250	0.390	1.125	0.219
C2160H	0.625	3.025	2.000	2.965	0.521	1.500	0.281

ANSI STANDARD DOUBLE PITCH ATTACHMENT CHAIN

# ATTACHMENTS SAA-1 SKK-1

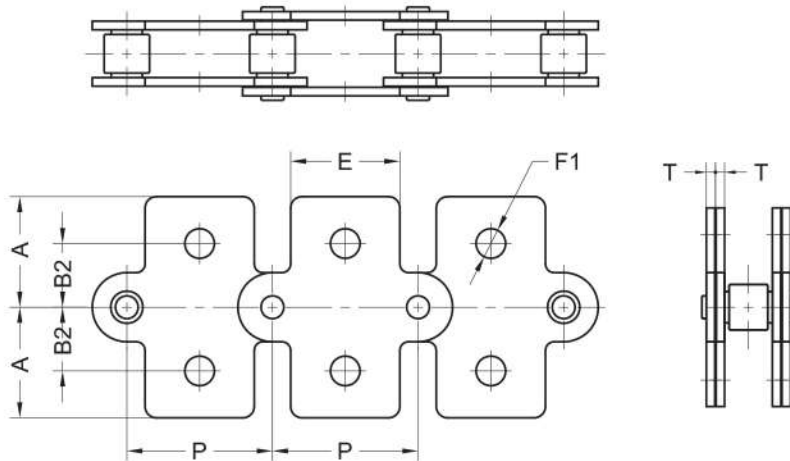
## SAA-1

Two straight one side with one hole in each tab



## SKK-1

Two straight two sides with one hole in each tab



Chain	Pitch	Attachment dimensions				
	P	A	B2	E	F	T
C2040	0.375	0.759	0.438	0.750	0.141	0.060
C2050	0.375	0.969	0.562	1.000	0.203	0.080
C2060H	0.500	1.172	0.688	1.125	0.203	0.125
C2080H	0.500	1.500	0.875	1.500	0.266	0.156
C2100H	0.500	1.984	1.125	1.875	0.328	0.187
C2120H	0.625	2.359	1.312	2.250	0.390	0.219
C2160H	0.625	3.025	1.750	2.965	0.521	0.281



**ANSI STANDARD DOUBLE PITCH ATTACHMENT CHAIN**

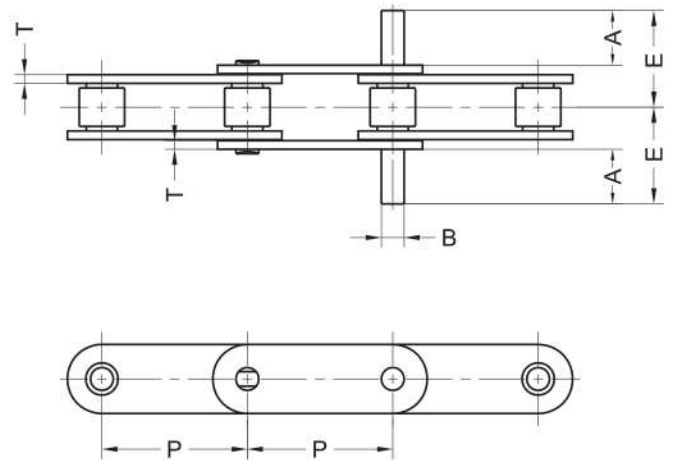
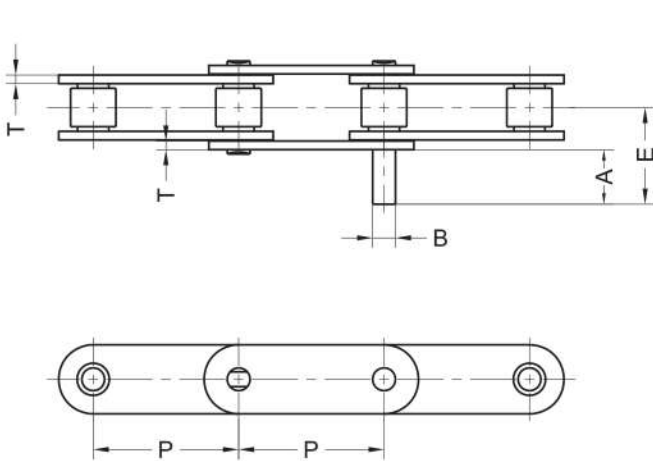
**ATTACHMENTS D-1 DD-1**

**D-1**

One pin extended one side

**DD-1**

One pin extended two sides



Chain	Pitch	Attachment dimensions			
	P	A	B	T	E
C2040	1.000	0.375	0.157	0.060	0.661
C2050	1.250	0.469	0.200	0.080	0.827
C2060H	1.500	0.562	0.235	0.125	1.062
C2080H	2.000	0.750	0.313	0.156	1.375
C2100H	2.500	0.930	0.376	0.187	1.679
C2120H	3.000	1.125	0.437	0.219	2.063
C2160H	4.000	1.500	0.563	0.281	2.687



**ANSI STANDARD DOUBLE PITCH ATTACHMENT CHAIN**

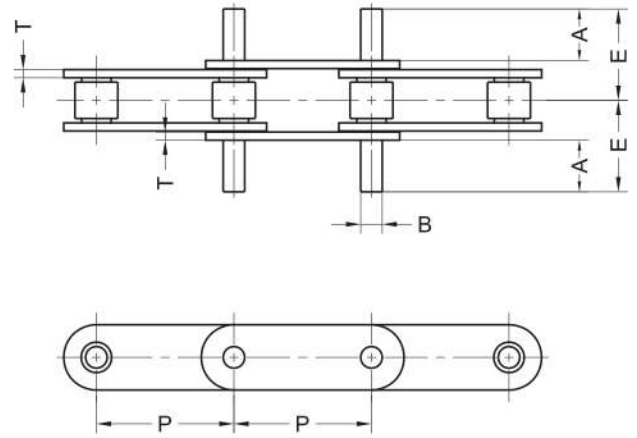
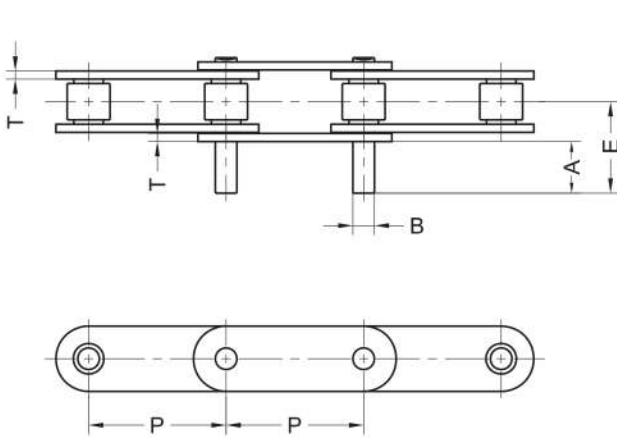
## ATTACHMENTS D-3 DD-3

### D-3

Two pins extended one side

### DD-3

Two pins extended two sides



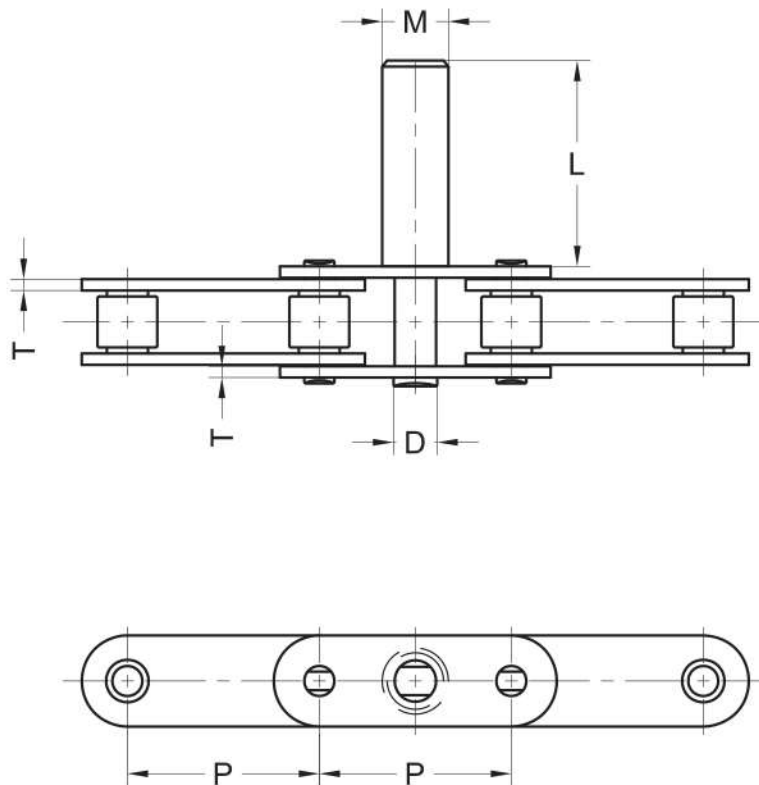
Chain	Pitch	Attachment dimensions			
	P	A	B	T	E
C2040	1.000	0.375	0.157	0.060	0.661
C2050	1.250	0.469	0.200	0.080	0.827
C2060H	1.500	0.562	0.235	0.125	1.062
C2080H	2.000	0.750	0.313	0.156	1.375
C2100H	2.500	0.930	0.376	0.187	1.679
C2120H	3.000	1.125	0.437	0.219	2.063
C2160H	4.000	1.500	0.563	0.281	2.687

**ANSI STANDARD DOUBLE PITCH ATTACHMENT CHAIN**

## ATTACHMENTS D-5

### D-5

One pin extended on one side in center of the link



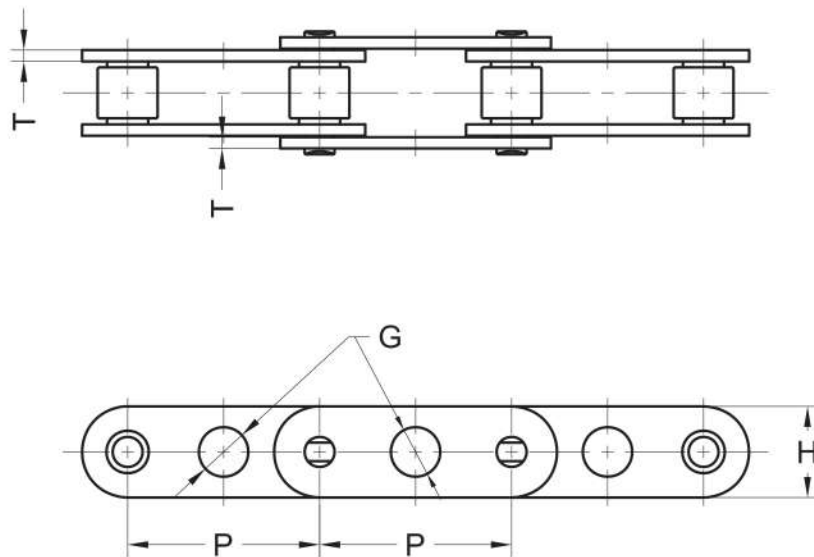
Chain	Pitch	Attachment dimensions			
	P	L	M	D	T
C2040	1.000	0.750	0.250	0.157	0.060
C2050	1.250	0.773	0.282	0.200	0.080
C2060H 1/2"	1.500	1.625	0.500	0.313	0.125
C2060H 1/2" TD	1.500	1.625	0.500	0.235	0.125
C2060H 9/16"	1.500	1.625	0.563	0.313	0.125
C2080H 1/2"	2.000	1.625	0.500	0.313	0.156
C2080H 17/32"	2.000	1.250	0.523	0.313	0.156
C2100H	2.500	1.563	0.563	0.375	0.187

**ANSI STANDARD DOUBLE PITCH ATTACHMENT CHAIN**

## ATTACHMENTS G-1

### G-1

One thru hole on each plate in center of link



Chain	Pitch	Attachment dimensions		
	P	H	G	T
C2040	1.000	0.463	0.156	0.060
C2040	1.000	0.463	0.250	0.060
C2040	1.000	0.463	0.313	0.060
C2050	1.250	0.594	0.219	0.080
C2060H	1.500	0.712	0.235	0.125
C2080H	2.000	0.950	0.313	0.156
C2100H	2.500	1.187	0.376	0.187