



CONVEYOR DOUBLE PITCH

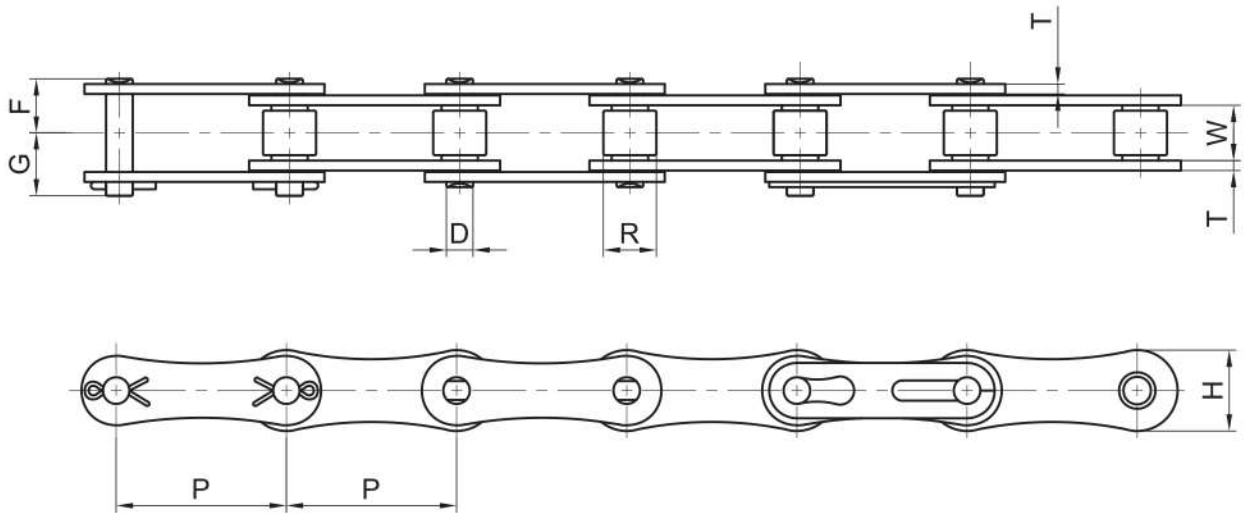


ANSI STANDARD STANDARD DOUBLE PITCH ROLLER CHAIN

AGRICULTURAL A TYPE



1. Designed for **low speed** and long distance **drive applications**.
2. All chain components are **heat-treated** to achieve maximum strength and greater wear resistance.
3. All KSP roller chain is **pre-loaded** during the manufacturing process to minimize initial elongation.
4. **Hot-dipped lubrication** ensures 100% lubrication of all chain components to extend wear life and reduce maintenance costs.

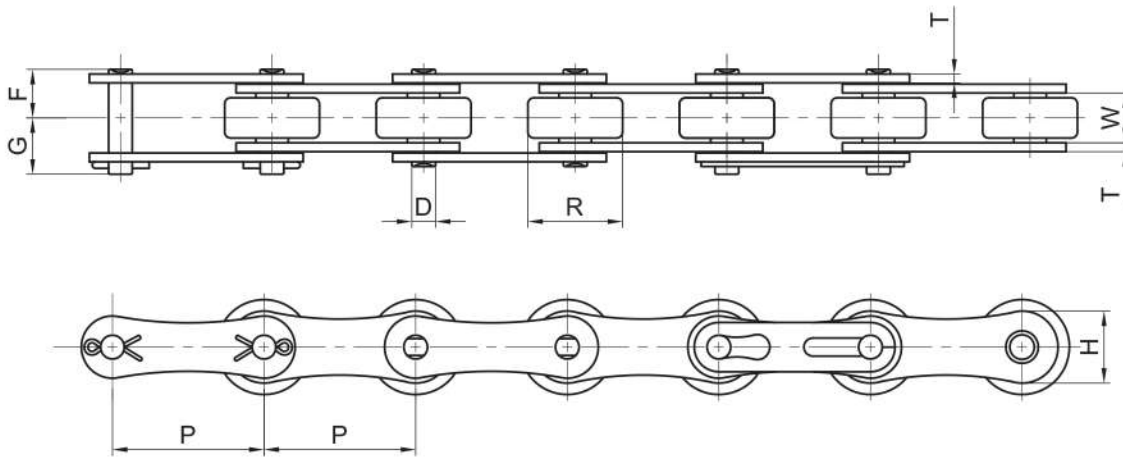


Chain	Pitch P	Roller		Plate		Pin Dia. D	Overall Width		Avg. Ult. Tensile Strength (Lbs.)	Max. Working Load (Lbs.)	Avg. Weight Per Foot (Lbs.)
		Width	Dia.	Height	Thickness		F	G			
		W	R	H	T						
A2041	1.000	0.250	0.306	0.390	0.050	0.142	0.263	0.334	2,866	441	0.242
A2040	1.000	0.312	0.312	0.475	0.060	0.157	0.324	0.406	4,189	661	0.276
A2050	1.250	0.375	0.400	0.594	0.080	0.200	0.400	0.488	6,834	990	0.457
A2060	1.500	0.500	0.469	0.712	0.094	0.235	0.501	0.601	9,259	1,430	0.638
A2080	2.000	0.625	0.625	0.950	0.125	0.313	0.650	0.803	17,637	2,420	1.176

ANSI STANDARD STANDARD DOUBLE PITCH ROLLER CHAIN

AGRICULTURAL A TYPE OVERSIZED ROLLERS

1. Designed for **low speed** and long distance **conveyor applications**.
2. All chain components are **heat-treated** to achieve maximum strength and greater wear resistance.
3. All KSP roller chain is **pre-loaded** during the manufacturing process to minimize initial elongation.
4. **Hot-dipped lubrication** ensures 100% lubrication of all chain components to extend wear life and reduce maintenance costs.



Chain	Pitch P	Roller		Plate		Pin Dia. D	Overall Width		Avg. Ult. Tensile Strength (Lbs.)	Max. Working Load (Lbs.)	Avg. Weight Per Foot (Lbs.)
		Width	Dia.	Height	Thickness		F	G			
		W	R	H	T						
A2042	1.000	0.312	0.625	0.475	0.060	0.157	0.324	0.406	4,189	661	0.276
A2052	1.250	0.375	0.750	0.594	0.080	0.200	0.400	0.488	6,834	992	0.457
A2062	1.500	0.500	0.875	0.712	0.094	0.235	0.501	0.601	9,259	1,430	1.115
A2082	2.000	0.625	1.125	0.950	0.125	0.313	0.650	0.803	17,637	2,420	1.176

ANSI STANDARD STANDARD DOUBLE PITCH ROLLER CHAIN

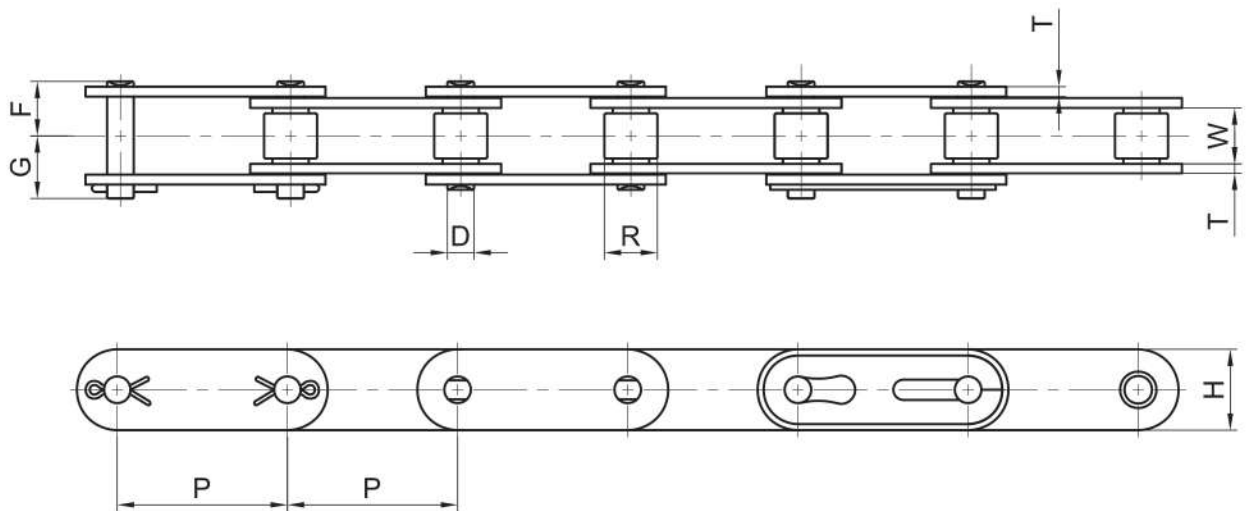
CONVEYOR C-TYPE



1. Designed for **low speed** and long distance **conveyor applications**.
2. All chain components are **heat-treated** to achieve maximum strength and greater wear resistance.

KSP

3. All KSP roller chain is **pre-loaded** during the manufacturing process to minimize initial elongation.
4. **Hot-dipped lubrication** ensures 100% lubrication of all chain components to extend wear life and reduce maintenance costs.



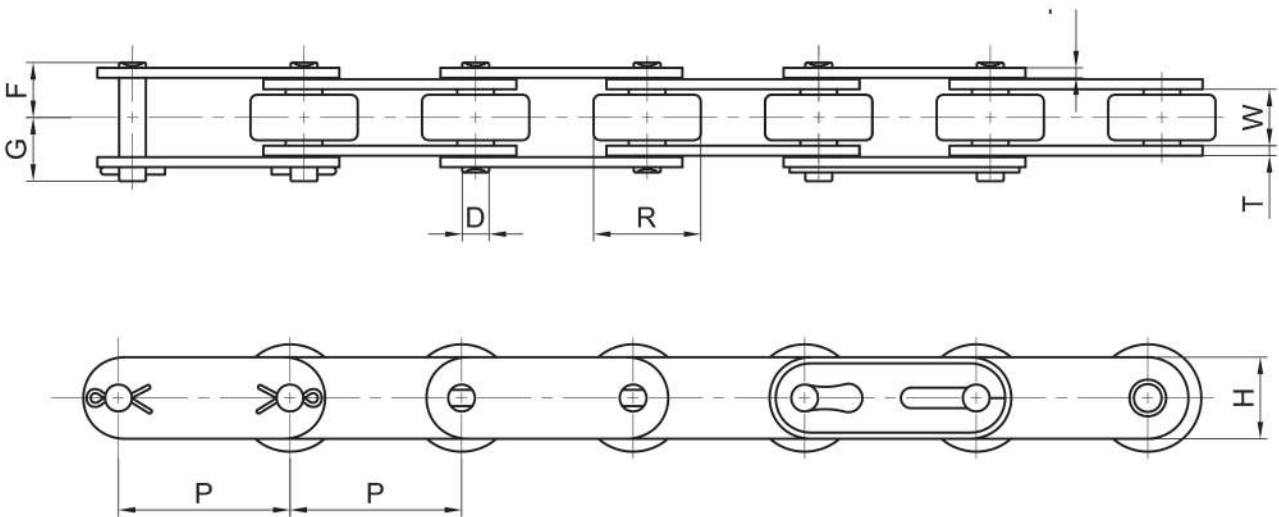
Chain	Pitch P	Roller		Plate		Pin Dia. D	Overall Width		Avg. Ult. Tensile Strength (Lbs.)	Max. Working Load (Lbs.)	Avg. Weight Per Foot (Lbs.)
		Width	Dia.	Height	Thickness		F	G			
		W	R	H	T						
C2040	1.000	0.312	0.312	0.475	0.060	0.157	0.324	0.406	4,189	661	0.316
C2050	1.250	0.375	0.400	0.594	0.080	0.200	0.400	0.488	6,834	992	0.538
C2060	1.500	0.500	0.469	0.712	0.094	0.235	0.501	0.601	9,259	1,433	0.759
C2080	2.000	0.625	0.625	0.950	0.125	0.313	0.650	0.803	17,637	2,425	1.337
C2050H	1.250	0.375	0.400	0.594	0.094	0.200	0.435	0.526	7,716	1,102	0.665
C2060H	1.500	0.500	0.469	0.712	0.125	0.235	0.567	0.606	12,125	1,543	0.947
C2080H	2.000	0.625	0.625	0.950	0.156	0.313	0.715	0.888	20,503	2,646	1.599
C2100H	2.500	0.750	0.750	1.187	0.187	0.376	0.860	0.998	30,865	4,079	2.459
C2120H	3.000	1.000	0.875	1.369	0.219	0.437	1.072	1.265	40,345	5,512	3.481
C2160H	4.000	1.250	1.125	1.900	0.281	0.562	1.339	1.546	69,446	9,259	5.745

ANSI STANDARD STANDARD DOUBLE PITCH ROLLER CHAIN



CONVEYOR C TYPE OVERSIZED ROLLERS

1. Designed for **low speed** and long distance **conveyor applications**.
2. All chain components are **heat-treated** to achieve maximum strength and greater wear resistance.
3. All KSP roller chain is **pre-loaded** during the manufacturing process to minimize initial elongation.
4. **Hot-dipped lubrication** ensures 100% lubrication of all chain components to extend wear life and reduce maintenance costs.



Chain	Pitch P	Roller		Plate		Pin Dia. D	Overall Width		Avg. Ult. Tensile Strength (Lbs.)	Max. Working Load (Lbs.)	Avg. Weight Per Foot (Lbs.)
		Width	Dia.	Height	Thickness		F	G			
		W	R	H	T						
C2042	1.000	0.312	0.625	0.475	0.060	0.157	0.324	0.406	4,189	661	0.558
C2052	1.250	0.375	0.750	0.594	0.080	0.200	0.400	0.488	6,834	992	0.853
C2062	1.500	0.500	0.875	0.712	0.094	0.235	0.501	0.601	9,259	1,433	1.223
C2082	2.000	0.625	1.125	0.950	0.125	0.313	0.650	0.803	17,637	2,425	2.063
C2052H	1.250	0.375	0.750	0.594	0.094	0.200	0.435	0.526	7,716	1,102	0.974
C2062H	1.500	0.500	0.875	0.712	0.125	0.235	0.567	0.606	12,125	1,543	1.431
C2082H	2.000	0.625	1.125	0.950	0.156	0.313	0.715	0.888	20,503	2,646	2.318
C2102H	2.500	0.750	1.562	1.187	0.187	0.376	0.860	0.998	30,865	4,079	3.944
C2122H	3.000	1.000	1.750	1.369	0.219	0.437	1.072	1.265	40,345	5,512	5.436
C2162H	4.000	1.250	2.250	1.900	0.281	0.562	1.339	1.546	69,446	9,259	8.729

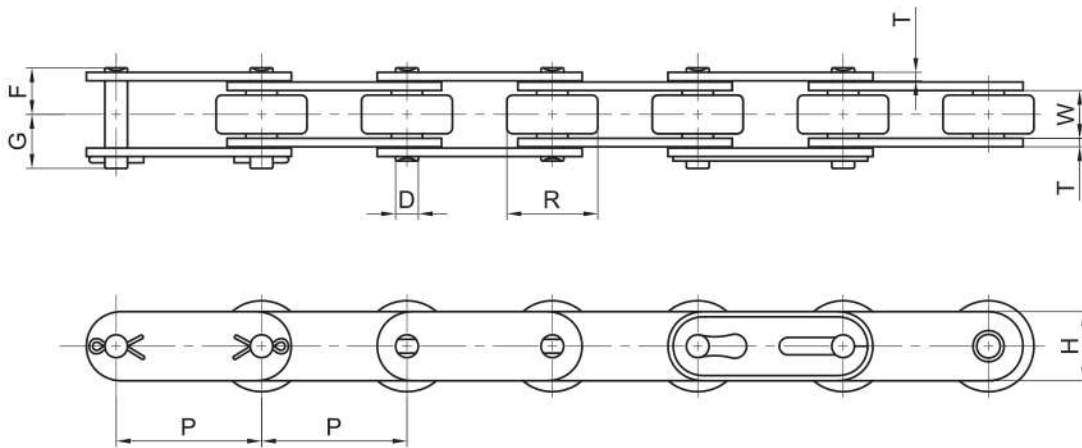
DOUBLE PITCH

ANSI STANDARD STANDARD DOUBLE PITCH ROLLER CHAIN

DELRIN ROLLERS



1. Designed for **low speed** and long distance **conveyor applications**.
2. All chain components are **heat-treated** to achieve maximum strength and greater wear resistance.
3. All KSP roller chain is **pre-loaded** during the manufacturing process to minimize initial elongation.
4. **Hot-dipped lubrication** ensures 100% lubrication of all chain components to extend wear life and reduce maintenance costs.



Chain	Pitch P	Roller		Plate		Pin Dia. D	Overall Width		Avg. Ult. Tensile Strength (Lbs.)	Max. Working Load (Lbs.)	Avg. Weight Per Foot (Lbs.)
		Width W	Dia. R	Height H	Thickness T		F	G			
A2042	1.000	0.312	0.625	0.475	0.060	0.157	0.324	0.406	4,189	661	0.276
C2042	1.000	0.312	0.625	0.475	0.060	0.157	0.324	0.406	4,189	661	0.558
A2052	1.250	0.375	0.750	0.594	0.080	0.200	0.400	0.488	6,834	992	0.457
C2052	1.250	0.375	0.750	0.594	0.080	0.200	0.400	0.488	6,834	992	0.853
C2052H	1.250	0.375	0.750	0.594	0.094	0.200	0.435	0.526	7,716	1,102	1.450
A2062	1.500	0.500	0.875	0.712	0.094	0.235	0.501	0.601	9,259	1,433	1.115
C2062	1.500	0.500	0.875	0.712	0.094	0.235	0.567	0.601	9,259	1,433	1.223
C2062H	1.500	0.500	0.875	0.712	0.125	0.235	0.567	0.606	12,125	1,433	1.431
A2082	2.000	0.625	1.125	0.950	0.125	0.313	0.650	0.803	17,637	2,425	1.176
C2082	2.000	0.625	1.125	0.950	0.125	0.313	0.715	0.803	17,637	2,425	2.063
C2082H	2.000	0.625	1.125	0.950	0.156	0.313	0.715	0.888	20,503	2,646	2.318
C2102H	2.500	0.750	1.750	1.187	0.187	0.376	0.860	0.998	30,865	4,079	3.944
C2122H	3.000	1.000	1.750	1.369	0.219	0.437	1.072	1.265	40,345	5,512	5.436
C2162H	4.000	1.250	2.250	1.900	0.281	0.562	1.339	1.546	69,446	9,259	8.729

DOUBLE PITCH