

ISO BRITISH

METRIC STANDARD ATTACHMENT CHAIN



ISO BRITISH METRIC STANDARD ATTACHMENT CHAIN

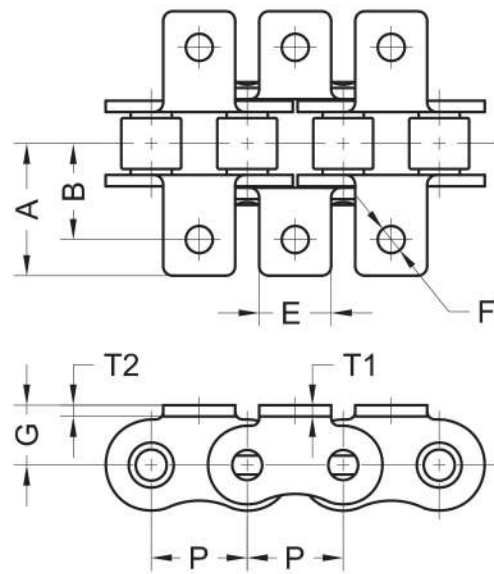
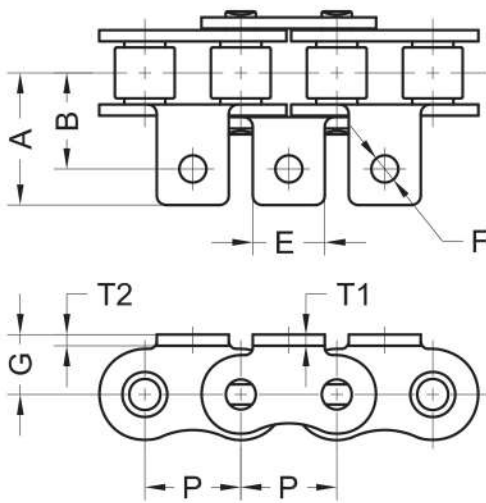
ATTACHMENTS A-1 K-1

A-1

Bent one side with one hole in each tab

K-1

Bent two sides with one hole in each tab



Chain	Pitch P	Attachment dimensions						
		A	B	E	F	G	T1	T2
06B	0.375	0.531	0.375	0.315	0.102	0.256	0.039	0.050
08B	0.500	0.717	0.500	0.433	0.169	0.350	0.059	0.062
10B	0.325	0.878	0.625	0.562	0.209	0.406	0.067	0.067
12B	0.750	1.028	0.750	0.625	0.252	0.531	0.073	0.073
16B	1.000	1.429	1.000	0.750	0.252	0.626	0.125	0.157
20B	1.250	1.675	1.250	1.012	0.331	0.780	0.125	0.176
24B	1.500	2.134	1.500	1.181	0.413	1.051	0.189	0.236
28B	1.750	2.421	1.750	1.378	0.516	1.126	0.236	0.287

ISO BRITISH METRIC STANDARD ATTACHMENT CHAIN

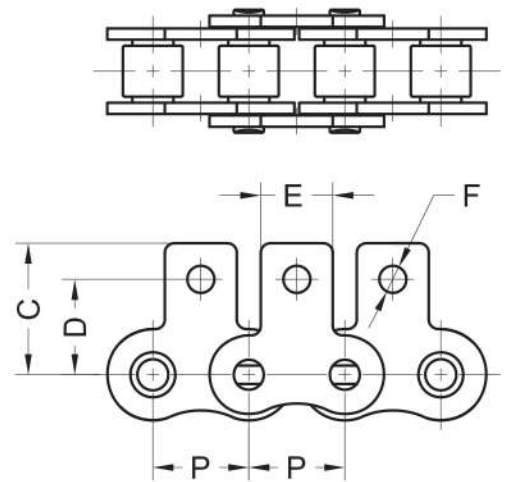
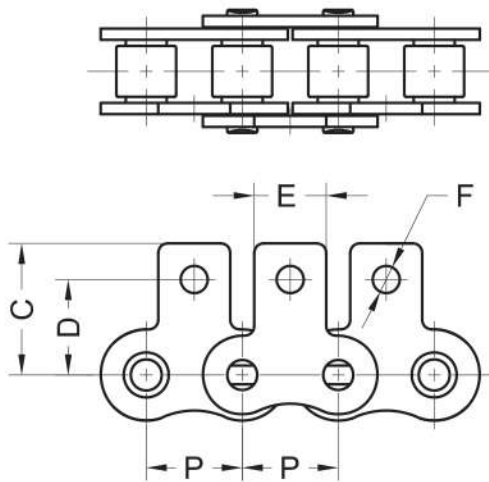
ATTACHMENTS SA-1 SK-1

SA-1

Straight one side with one hole in each tab

SK-1

Straight two sides with one hole in each tab



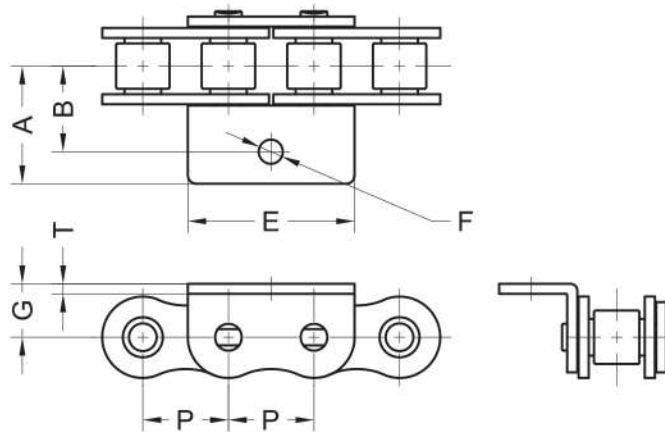
Chain	Pitch	Attachment dimensions					
	P	C	D	E	F	T1	T2
06B	0.375	0.535	0.375	0.315	0.102	0.039	0.050
08B	0.500	0.742	0.526	0.433	0.169	0.059	0.062
10B	0.325	0.904	0.650	0.562	0.209	0.067	0.067
12B	0.750	1.122	0.844	0.625	0.252	0.073	0.073
16B	1.000	1.337	0.911	0.750	0.252	0.125	0.157
20B	1.250	1.657	1.201	1.012	0.331	0.125	0.176
24B	1.500	2.102	1.417	1.181	0.413	0.189	0.236
28B	1.750			1.378	0.516	0.236	0.287

ISO BRITISH METRIC STANDARD ATTACHMENT CHAIN

ATTACHMENTS WA-1 WK-1

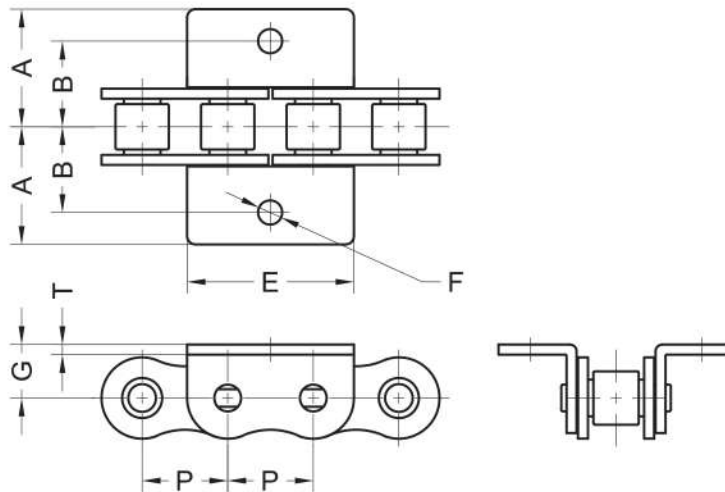
WA-1

Wide contour bent one side with one hole in each tab



WK-1

Wide contour bent two sides with one hole in each tab



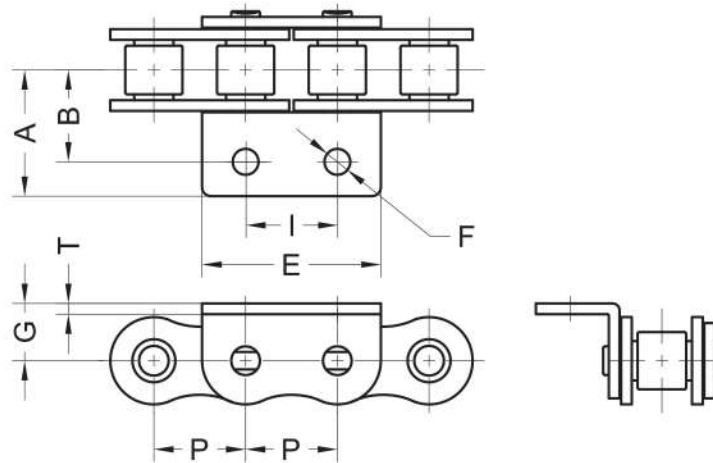
Chain	Pitch	Attachment dimensions						
	P	A	B	E	F	G	T1	T2
06B	0.375	0.531	0.375	0.701	0.102	0.256	0.039	0.050
08B	0.500	0.717	0.500	0.963	0.169	0.350	0.059	0.062
10B	0.625	0.878	0.625	1.204	0.209	0.406	0.067	0.067
12B	0.750	1.028	0.750	1.385	0.252	0.531	0.073	0.073
16B	1.000	1.429	1.000	1.815	0.252	0.626	0.125	0.157

ISO BRITISH METRIC STANDARD ATTACHMENT CHAIN

ATTACHMENTS WA-2 WK-2

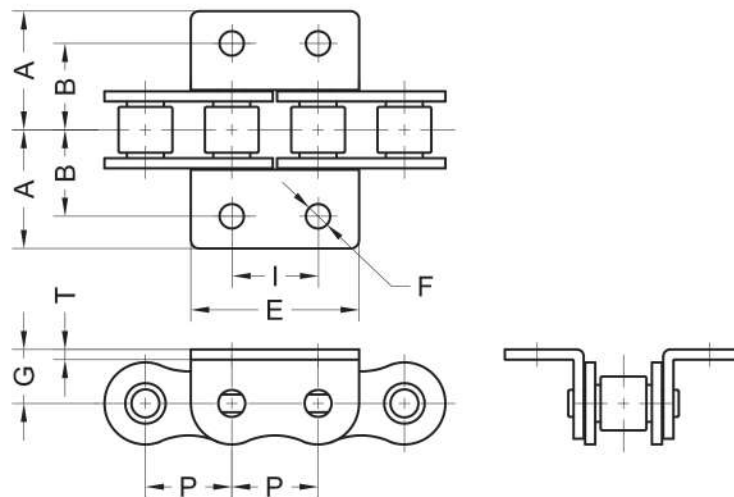
WA-2

Wide contour bent one side with two holes in each tab



WK-2

Wide contour bent two sides with two holes in each tab



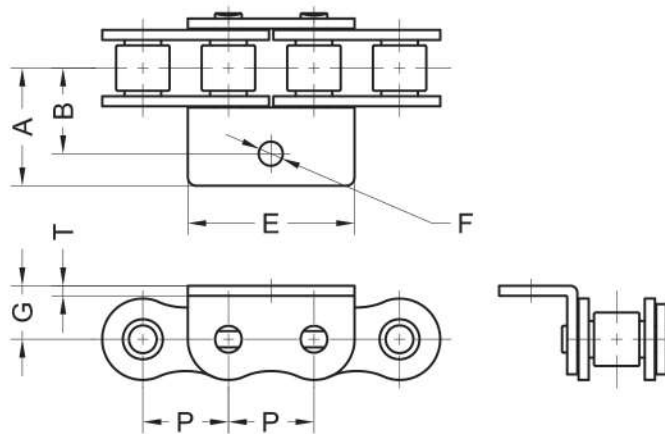
Chain	Pitch	Attachment dimensions							
	P	A	B	E	F	G	I	T1	T2
06B	0.375	0.531	0.375	0.701	0.102	0.256	0.375	0.039	0.050
08B	0.500	0.717	0.500	0.963	0.169	0.350	0.500	0.059	0.062
10B	0.625	0.878	0.625	1.204	0.209	0.406	0.625	0.067	0.067
12B	0.750	1.028	0.750	1.385	0.252	0.531	0.750	0.073	0.073
16B	1.000	1.429	1.000	1.815	0.252	0.626	1.000	0.125	0.157

ISO BRITISH METRIC STANDARD ATTACHMENT CHAIN

ATTACHMENTS WA-1 WK-1

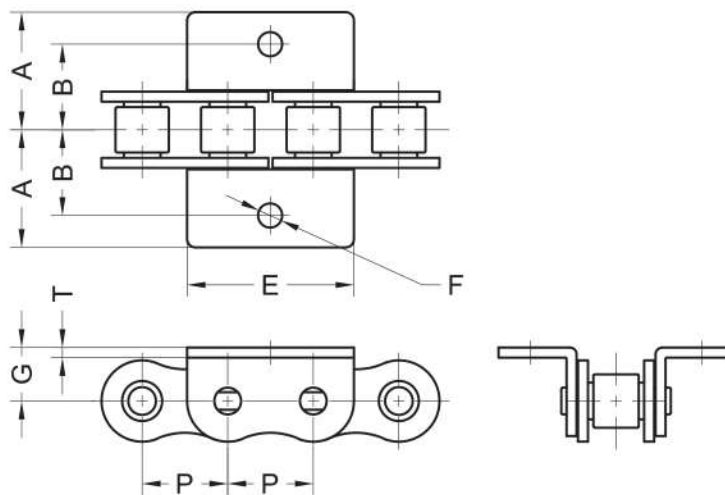
WA-1

Wide contour bent one side with one hole in each tab



WK-1

Wide contour bent two sides with one hole in each tab



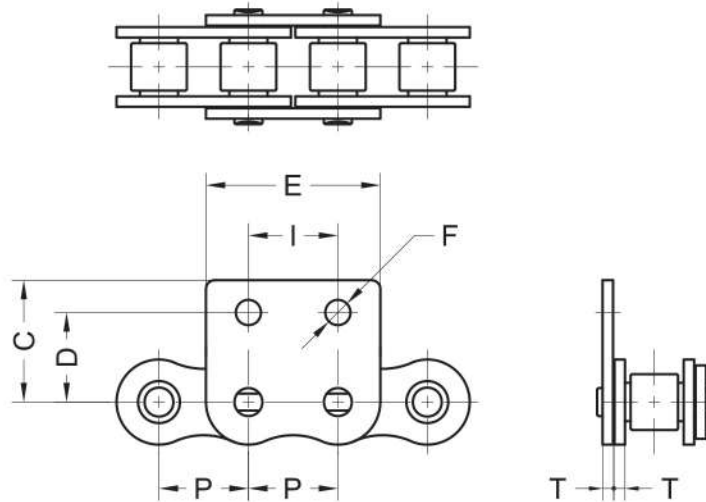
Chain	Pitch	Attachment dimensions						
	P	A	B	E	F	G	T1	T2
06B	0.375	0.531	0.375	0.701	0.102	0.256	0.039	0.050
08B	0.500	0.717	0.500	0.963	0.169	0.350	0.059	0.062
10B	0.625	0.878	0.625	1.204	0.209	0.406	0.067	0.067
12B	0.750	1.028	0.750	1.385	0.252	0.531	0.073	0.073
16B	1.000	1.429	1.000	1.815	0.252	0.626	0.125	0.157

ISO BRITISH METRIC STANDARD ATTACHMENT CHAIN

ATTACHMENTS WSA-2 WSK-2

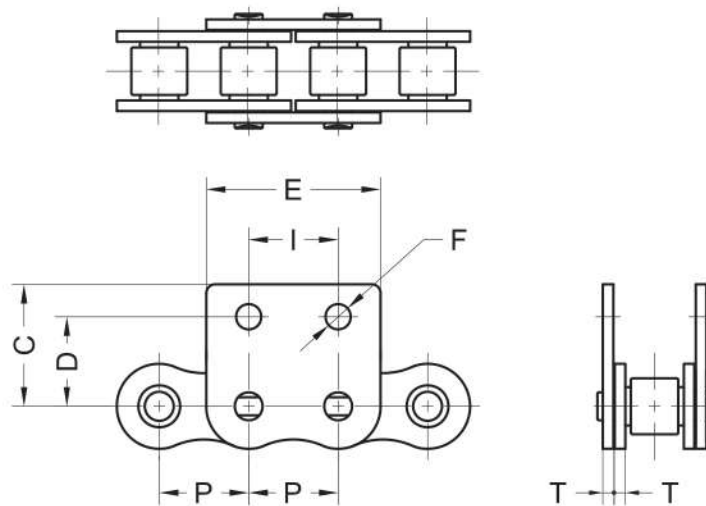
WSA-2

Wide contour straight one side with two holes in each tab



WSK-2

Wide contour straight two sides with two holes in each tab



Chain	Pitch P	Attachment dimensions						
		C	D	E	F	I	T1	T2
06B	0.375	0.535	0.375	0.701	0.102	0.375	0.039	0.050
08B	0.500	0.742	0.526	0.963	0.169	0.500	0.059	0.062
10B	0.625	0.904	0.650	1.204	0.209	0.625	0.067	0.067
12B	0.750	1.122	0.844	1.385	0.252	0.750	0.073	0.073
16B	1.000	1.337	0.911	1.815	0.252	1.000	0.125	0.157

ISO BRITISH METRIC STANDARD ATTACHMENT CHAIN

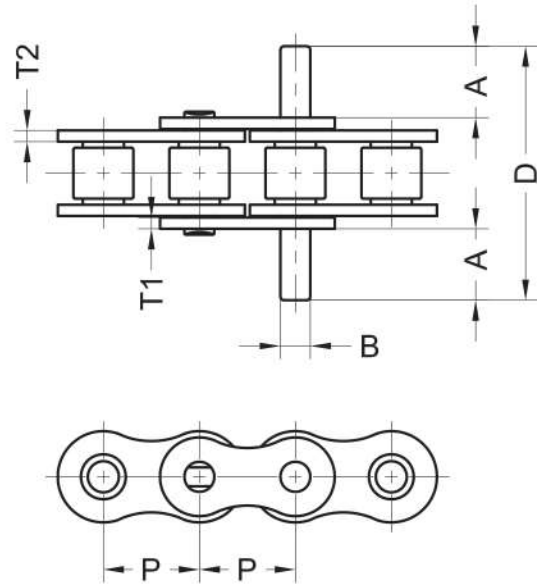
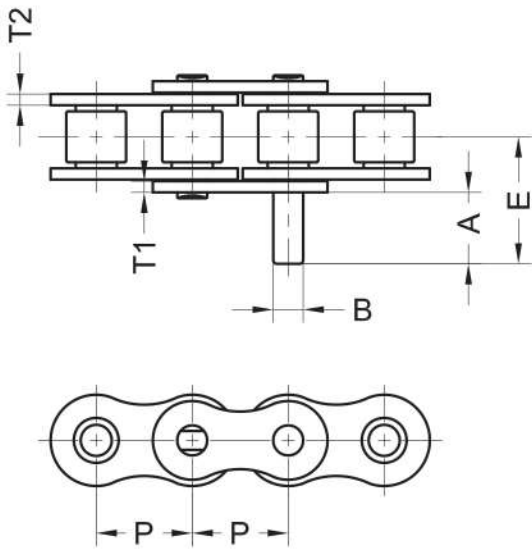
ATTACHMENTS D-1 DD-1

D-1

One pin extended one side

DD-1

One pin extended two sides



Chain	Pitch	Attachment dimensions					
	P	A	B	D	E	T1	T2
06B	0.375	0.480	0.129	1.340	0.670	0.039	0.050
08B	0.500	0.610	0.175	1.760	0.880	0.059	0.062
10B	0.625	0.728	0.200	2.096	1.048	0.065	0.065
12B	0.750	0.846	0.225	2.436	1.218	0.071	0.071
16B	1.000	1.358	0.326	3.874	1.937	0.122	0.157
20B	1.250	1.551	0.401	4.360	2.180	0.122	0.173
24B	1.500	2.024	0.576	5.788	2.894	0.185	0.236

ISO BRITISH METRIC STANDARD ATTACHMENT CHAIN

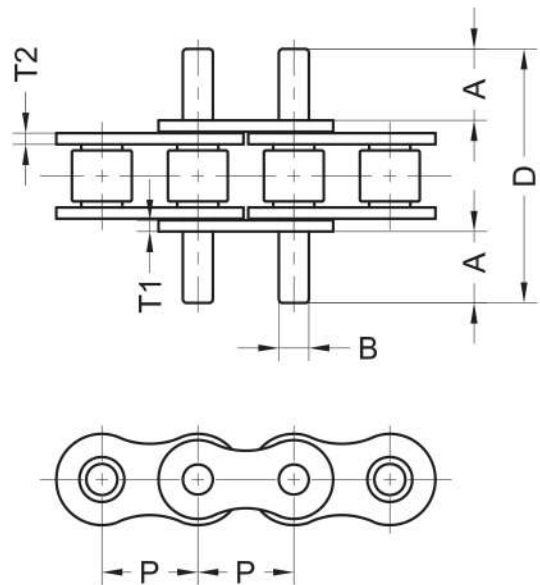
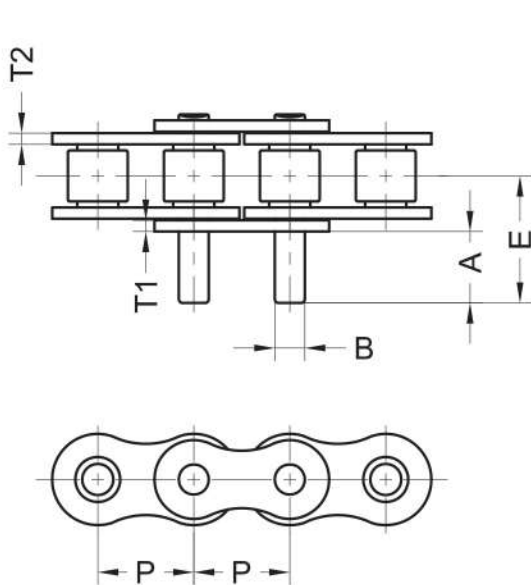
ATTACHMENTS D-3 DD-3

D-3

Two pins extended one side

DD-3

Two pins extended two sides



Chain	Pitch	Attachment dimensions					
	P	A	B	D	E	T1	T2
06B	0.375	0.480	0.129	1.340	0.67	0.039	0.050
08B	0.500	0.610	0.175	1.760	0.880	0.059	0.062
10B	0.625	0.728	0.200	2.096	1.048	0.065	0.065
12B	0.750	0.846	0.225	2.436	1.218	0.071	0.071
16B	1.000	1.358	0.326	3.874	1.937	0.122	0.157
20B	1.250	1.551	0.401	4.360	2.180	0.122	0.173
24B	1.500	2.024	0.576	5.788	2.894	0.185	0.236