



# SELFF LUBBE

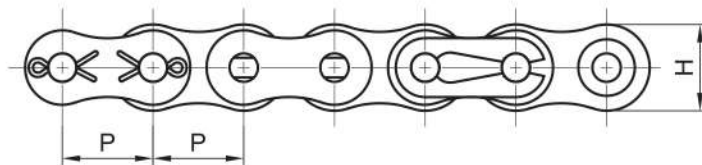
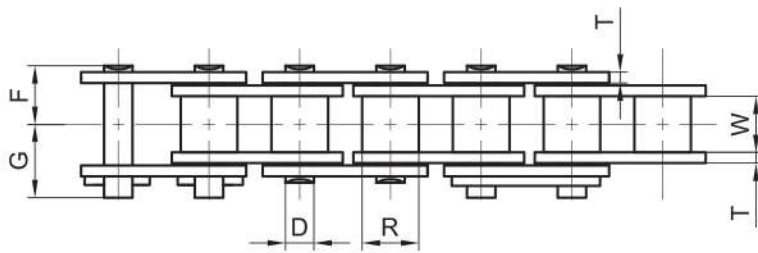


ANSI STANDARD



SL SERIES

1. Maximizes chain life with **oil impregnated sintered bushings**.
2. A **rollerless** chain with bushing OD equivalent to the OD of standard roller chain rollers.
3. Ideal for applications where it is difficult to access or maintain chain.
4. Our KSP Chain self-lube chain is a suitable choice for both **drive and conveyance** applications.



Chain	Pitch P	Roller		Plate		Pin Dia. D	Overall Width		Avg. Ult. Tensile Strength (Lbs.)	Avg. Weight Per Foot (Lbs.)
		Width	Dia.	Height	Thickness		F	G		
		W	R	H	T					
35 SL	0.375	0.188	0.200	0.356	0.050	0.118	0.232	0.277	2,310	0.21
40 SL	0.500	0.312	0.312	0.475	0.060	0.157	0.324	0.406	2,970	0.42
50 SL	0.625	0.375	0.400	0.594	0.080	0.200	0.400	0.488	4,620	0.69
60 SL	0.750	0.500	0.469	0.712	0.094	0.235	0.501	0.601	6,380	0.97
80 SL	1.000	0.625	0.625	0.950	0.125	0.313	0.650	0.803	11,440	1.74
100 SL	1.250	0.750	0.750	1.187	0.156	0.376	0.781	0.950	18,480	2.57

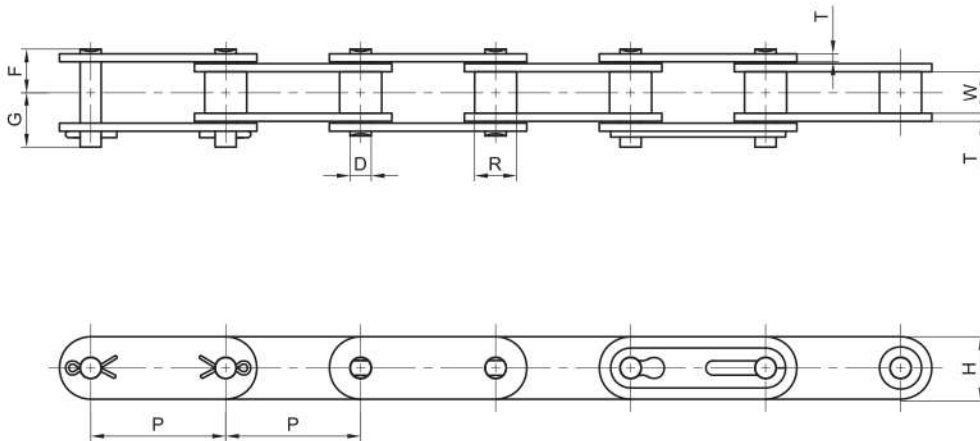


ANSI STANDARD DOUBLE PITCH

SL SERIES



1. Maximizes chain life with **oil impregnated sintered bushings**.
2. A **rollerless** chain with bushing OD equivalent to the OD of standard roller chain rollers.
3. Ideal for applications where it is difficult to access or maintain chain.
4. Our KSP Chain self-lube chain is a suitable choice for both **drive and conveyance** applications.



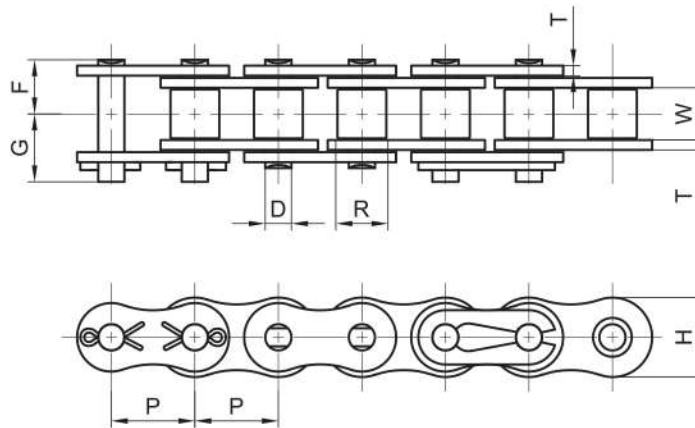
Chain	Pitch P	Roller		Plate		Pin Dia. D	Overall Width		Avg. Ult. Tensile Strength (Lbs.)	Avg. Weight Per Foot (Lbs.)
		Width W	Dia. R	Height H	Thickness T		F	G		
C2040 SL	1.000	0.312	0.312	0.463	0.060	0.157	0.324	0.406	2,860	0.33
C2042 SL	1.000	0.312	0.625	0.463	0.060	0.157	0.324	0.406	2,860	0.58
C2050 SL	1.250	0.375	0.400	0.594	0.080	0.200	0.400	0.488	4,620	0.54
C2052 SL	1.250	0.375	0.750	0.594	0.080	0.200	0.400	0.488	4,620	0.89
C2060H SL	1.500	0.500	0.469	0.712	0.125	0.235	0.567	0.618	8,360	0.94
C2062H SL	1.500	0.500	0.875	0.712	0.125	0.235	0.567	0.618	8,360	1.47
C2080H SL	2.000	0.625	0.625	0.950	0.156	0.313	0.720	0.793	14,520	1.68
C2082H SL	2.000	0.625	1.125	0.950	0.156	0.313	0.720	0.793	14,520	2.64
C2102H SL	2.500	0.750	1.562	1.187	0.187	0.376	0.860	0.997	30,800	4.13
C2122H SL	3.000	1.000	1.750	1.425	0.219	0.437	1.072	1.265	40,260	5.69

ANSI STANDARD

SLB SERIES



1. Features assembled rollers, **oil impregnated sintered bushings**, and **phosphate coated** roller link plates with nickel-plated pins.
2. SLB series chains are designed with the same **tensile strength** as ANSI standard chain and provide **greater resistance** to corrosion and wear.
3. Ideal for applications where it is difficult to access or maintain chain and a greater tensile strength is required.
4. SLB series chain is the **optimum choice** for conveyance applications.



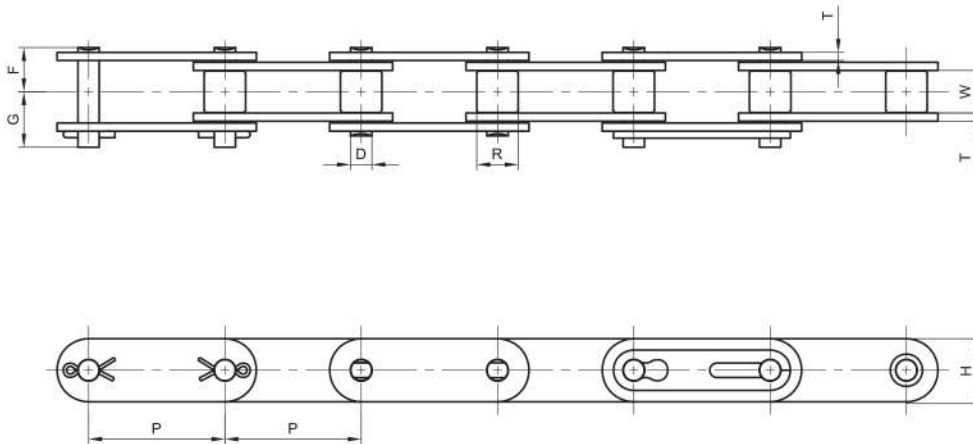
Chain	Pitch P	Roller		Plate		Pin Dia. D	Overall Width		Avg. Ult. Tensile Strength (Lbs.)	Max. Working Load (Lbs.)	Avg. Weight Per Foot (Lbs.)
		Width	Dia.	Height	Thickness		F	G			
		W	R	H	T						
40 SLB	0.500	0.312	0.312	0.475	0.060	0.157	0.406	0.324	4,180	816	0.52
50 SLB	0.625	0.375	0.400	0.622	0.080	0.200	0.488	0.400	6,820	1,400	0.75
60 SLB	0.750	0.500	0.469	0.712	0.094	0.235	0.601	0.501	9,240	2,094	1.04
80 SLB	0.800	0.625	0.625	0.950	0.125	0.313	0.803	0.650	17,600	3,307	1.90
100 SLB	1.000	0.750	0.750	1.187	0.156	0.376	0.950	0.781	25,300	5,071	2.87
120 SLB	1.250	1.000	0.875	1.425	0.187	0.437	1.174	1.005	34,320	6,834	4.70
140 SLB	1.750	1.000	1.000	1.662	0.219	0.500	1.267	1.074	46,200	9,039	5.39
160 SLB	2.000	1.250	1.125	1.900	0.250	0.563	1.459	1.290	57,860	11,905	6.91

ANSI STANDARD DOUBLE PITCH

# SLB SERIES



1. Features assembled rollers, **oil impregnated sintered bushings**, and **phosphate coated** roller link plates with nickel-plated pins.
2. SLB series chains are designed with the same **tensile strength** as ANSI standard chain and provide **greater resistance** to corrosion and wear.
3. Ideal for applications where it is difficult to access or maintain chain and a greater tensile strength is required.
4. SLB series chain is the **optimum choice** for conveyance applications.



Chain	Pitch P	Roller		Plate		Pin Dia. D	Overall Width		Avg. Ult. Tensile Strength (Lbs.)	Avg. Weight Per Foot (Lbs.)
		Width W	Dia. R	Height H	Thickness T		F	G		
		C2040 SLB	1.000	0.312	0.312		0.463	0.060		
C2050 SLB	1.250	0.375	0.400	0.594	0.080	0.200	0.488	0.400	7,810	0.58
C2060H SLB	1.500	0.500	0.469	0.712	0.125	0.235	0.665	0.567	12,540	1.04

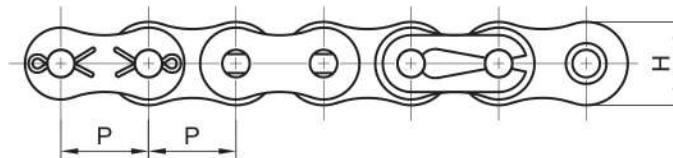
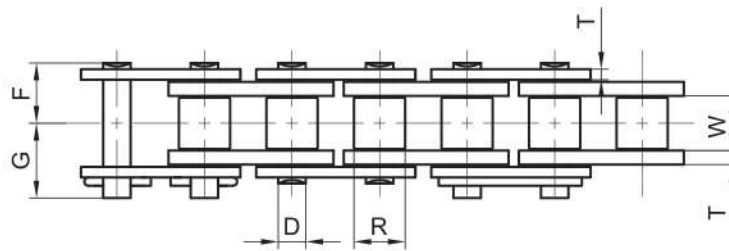


ANSI STANDARD

SLH SERIES



1. Features assembled rollers, **oil impregnated sintered bushings**, and **phosphate coated** roller link plates with nickel-plated pins.
2. SLH series chain is designed with the same features as SLB with the addition of thicker roller link plates providing the same maximum working loads and ANSI standard roller chain.
2. Ideal for applications where it is difficult to access or maintain chain and a greater working load is required.
4. SLB series chain is the optimal choice for **drive applications** at low to moderate speeds.



Chain	Pitch P	Roller		Plate			Pin Dia. D	Overall Width		Avg. Ult. Tensile Strength (Lbs.)	Max. Working Load (Lbs.)	Avg. Weight Per Foot (Lbs.)
		Width W	Dia. R	Height H	Thickness T1	Thickness T2		F	G			
40 SLH	0.500	0.312	0.312	0.475	0.060	0.080	0.157	0.665	0.567	4,180	816	0.50
50 SLH	0.625	0.375	0.400	0.594	0.080	0.094	0.200	0.411	0.344	6,820	1,400	0.79
60 SLH	0.750	0.500	0.469	0.712	0.094	0.125	0.235	0.490	0.423	9,240	2,094	1.22
80 SLH	1.000	0.625	0.625	0.950	0.125	0.156	0.313	0.616	0.541	17,600	3,307	1.98