



ATTACHMENTS

A N S I

STANDARD

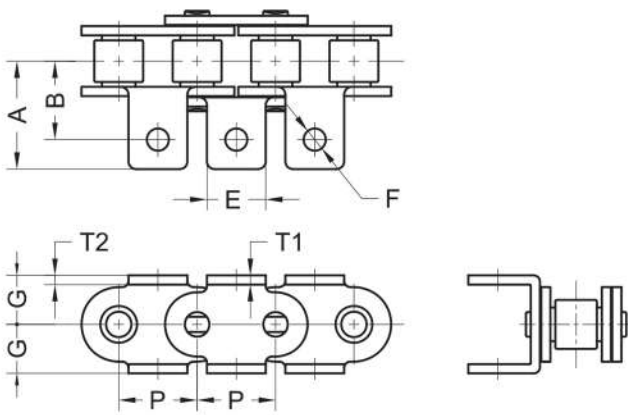


ANSI STANDARD ATTACHMENT CHAIN

ATTACHMENTS AA-1 KK-1

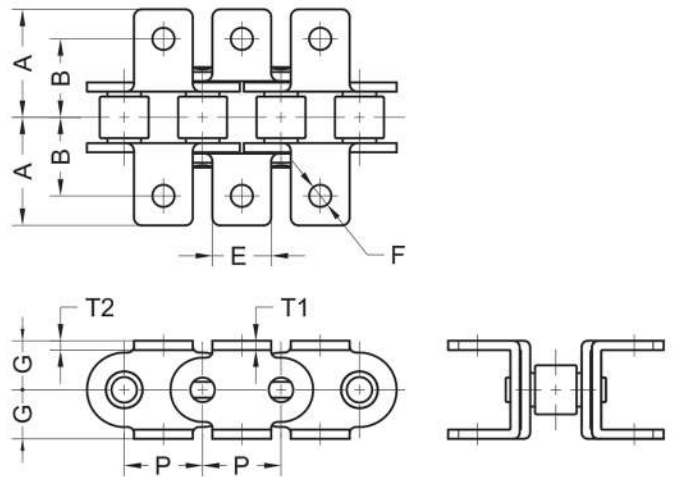
AA-1

Two bends, one side with one hole in each tab



KK-1

Two bends, two sides with one hole in each tab



Chain	Pitch	Attachment dimensions					
	P	A	B	E	F	G	T
35	0.375	0.516	0.375	0.313	0.102	0.250	0.050
35-2	0.375	0.516	0.375	0.313	0.102	0.250	0.050
40	0.500	0.687	0.500	0.375	0.141	0.312	0.060
40-2	0.500	0.687	0.500	0.375	0.141	0.312	0.060
41	0.500	0.641	0.469	0.375	0.141	0.281	0.050
50	0.625	0.972	0.625	0.562	0.203	0.406	0.080
50-2	0.625	0.972	0.625	0.562	0.203	0.406	0.080
60	0.750	1.103	0.750	0.625	0.203	0.469	0.094
60-2	0.750	1.103	0.750	0.625	0.203	0.469	0.094
80	1.000	1.378	1.000	0.750	0.266	0.625	0.125
80-2	1.000	1.378	1.000	0.750	0.266	0.625	0.125
100	1.250	1.693	1.250	1.000	0.328	0.781	0.156
100-2	1.250	1.693	1.250	1.000	0.328	0.781	0.156
120	1.500	2.091	1.500	1.125	0.392	0.906	0.187
120-2	1.500	2.091	1.500	1.125	0.392	0.906	0.187
140	1.750	2.498	1.750	1.375	0.450	1.125	0.219
140-2	1.750	2.498	1.750	1.375	0.450	1.125	0.219
160	2.000	2.672	2.000	1.500	0.518	1.250	0.250
160-2	2.000	2.672	2.000	1.500	0.518	1.250	0.250

ANSI STANDARD ATTACHMENT CHAIN

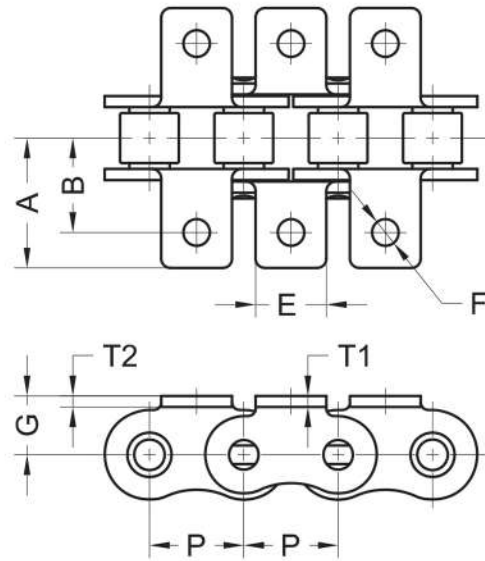
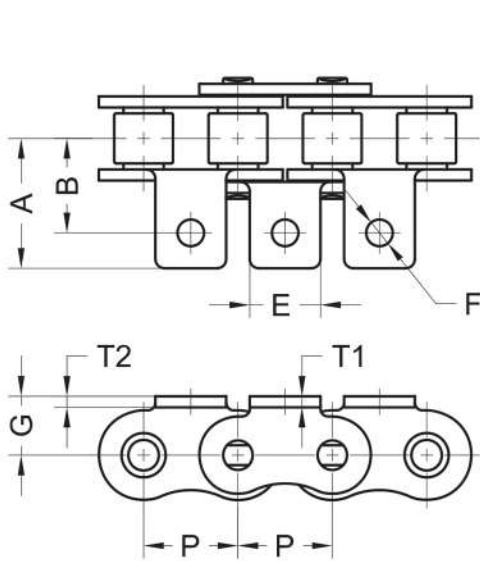
ATTACHMENTS A-1 K-1

A-1 Attachment

Bent lug, one side with one hole in each tab

K-1 Attachment

Bent lug, both sides with one hole in each tab



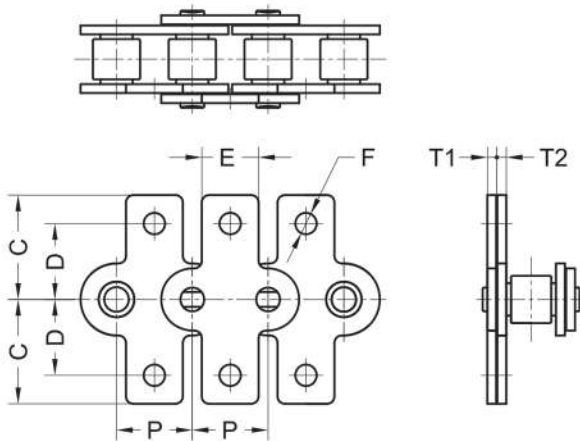
Chain	Pitch	Attachment dimensions					
	P	A	B	E	F	G	T
35	0.375	0.516	0.375	0.313	0.102	0.250	0.050
35-2	0.375	0.516	0.375	0.313	0.102	0.250	0.050
40	0.500	0.687	0.500	0.375	0.141	0.312	0.060
40-2	0.500	0.687	0.500	0.375	0.141	0.312	0.060
41	0.500	0.641	0.469	0.375	0.141	0.281	0.050
50	0.625	0.972	0.625	0.562	0.203	0.406	0.080
50-2	0.625	0.972	0.625	0.562	0.203	0.406	0.080
60	0.750	1.103	0.750	0.625	0.203	0.469	0.094
60-2	0.750	1.103	0.750	0.625	0.203	0.469	0.094
80	1.000	1.378	1.000	0.750	0.266	0.625	0.125
80-2	1.000	1.378	1.000	0.750	0.266	0.625	0.125
100	1.250	1.693	1.250	1.000	0.328	0.781	0.156
100-2	1.250	1.693	1.250	1.000	0.328	0.781	0.156
120	1.500	2.091	1.500	1.125	0.392	0.906	0.187
120-2	1.500	2.091	1.500	1.125	0.392	0.906	0.187
140	1.750	2.498	1.750	1.375	0.450	1.125	0.219
140-2	1.750	2.498	1.750	1.375	0.450	1.125	0.219
160	2.000	2.672	2.000	1.500	0.518	1.250	0.250
160-2	2.000	2.672	2.000	1.500	0.518	1.250	0.250

ANSI STANDARD ATTACHMENT CHAIN

ATTACHMENTS SAA-1 SKK-1

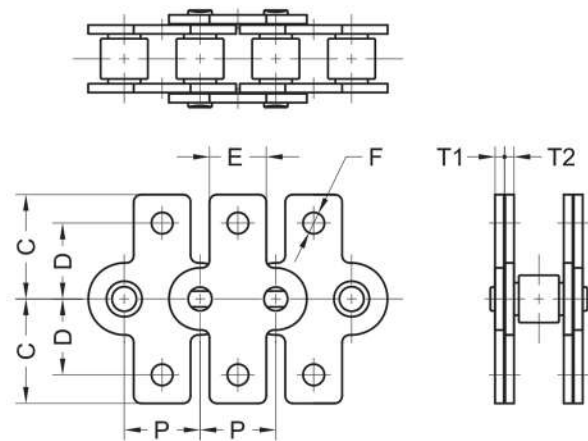
SAA-1

Two straight tabs one side with one hole in each tab



SKK-1

Two Straight tabs two sides with one hole in each tab



Chain	Pitch	Attachment dimensions				
	P	C	D	E	F	T
35	0.375	0.528	0.375	0.313	0.102	0.050
35-2	0.375	0.528	0.375	0.313	0.102	0.050
40	0.500	0.691	0.500	0.375	0.141	0.060
40-2	0.500	0.691	0.500	0.375	0.141	0.060
41	0.500	0.648	0.500	0.375	0.141	0.050
50	0.625	0.969	0.625	0.562	0.203	0.080
50-2	0.625	0.969	0.625	0.562	0.203	0.080
60	0.750	1.037	0.719	0.625	0.203	0.094
60-2	0.750	1.037	0.719	0.625	0.203	0.094
80	1.000	1.341	0.969	0.750	0.266	0.125
80-2	1.000	1.341	0.969	0.750	0.266	0.125
100	1.250	1.657	1.250	1.000	0.328	0.156
100-2	1.250	1.657	1.250	1.000	0.328	0.156
120	1.500	2.022	1.438	1.125	0.392	0.187
120-2	1.500	2.022	1.438	1.125	0.392	0.187
140	1.750	2.500	1.752	1.375	0.450	0.219
140-2	1.750	2.500	1.752	1.375	0.450	0.219
160	2.000	2.605	2.000	1.500	0.518	0.250
160-2	2.000	2.605	2.000	1.500	0.518	0.250

ANSI STANDARD ATTACHMENT CHAIN

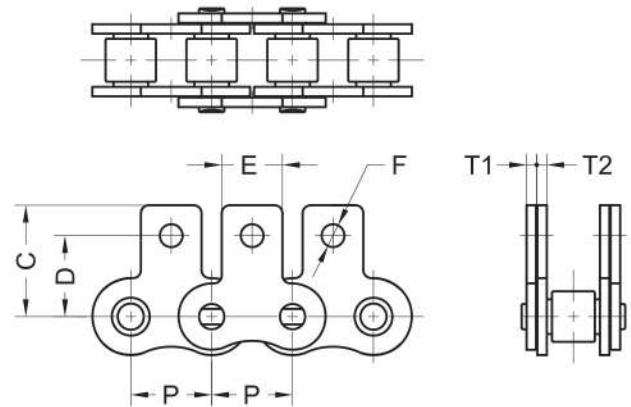
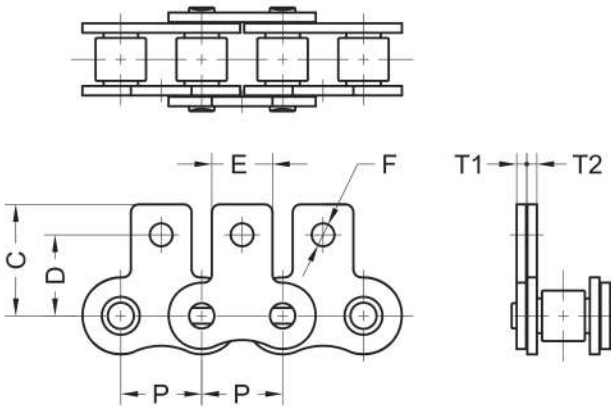
ATTACHMENTS SA-1 SK-1

SA-1

Straight one side with one hole in each tab

SK-1

Straight two sides with one hole in each tab



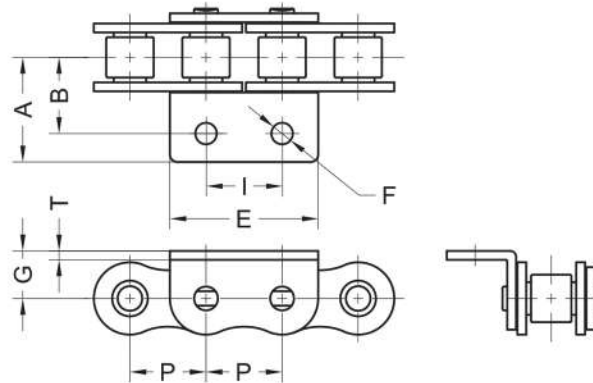
Chain	Pitch	Attachment dimensions				
	P	C	D	E	F	T
35	0.375	0.528	0.375	0.313	0.102	0.050
35-2	0.375	0.528	0.375	0.313	0.102	0.050
40	0.500	0.691	0.500	0.375	0.141	0.060
40-2	0.500	0.691	0.500	0.375	0.141	0.060
41	0.500	0.648	0.500	0.375	0.141	0.050
50	0.625	0.969	0.625	0.562	0.203	0.080
50-2	0.625	0.969	0.625	0.562	0.203	0.080
60	0.750	1.037	0.719	0.625	0.203	0.094
60-2	0.750	1.037	0.719	0.625	0.203	0.094
80	1.000	1.341	0.969	0.750	0.266	0.125
80-2	1.000	1.341	0.969	0.750	0.266	0.125
100	1.250	1.657	1.250	1.000	0.328	0.156
100-2	1.250	1.657	1.250	1.000	0.328	0.156
120	1.500	2.022	1.438	1.125	0.392	0.187
120-2	1.500	2.022	1.438	1.125	0.392	0.187
140	1.750	2.500	1.752	1.375	0.450	0.219
140-2	1.750	2.500	1.752	1.375	0.450	0.219
160	2.000	2.605	2.000	1.500	0.518	0.250
160-2	2.000	2.605	2.000	1.500	0.518	0.250

ANSI STANDARD ATTACHMENT CHAIN

ATTACHMENTS WA-2 WK-2

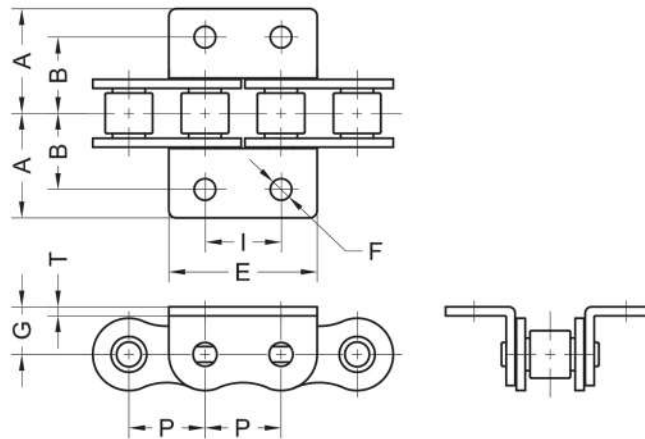
WA-2

Wide contour bent one side with two holes in each tab



WK-2

Wide contour bent two sides with two holes in each tab



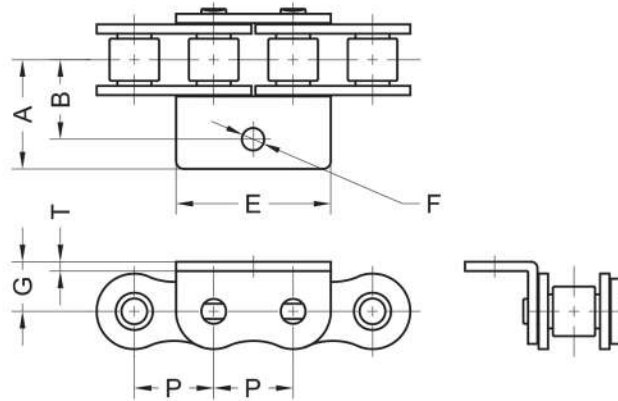
Chain	Pitch	Attachment dimensions						
		P	A	B	E	F	G	I
35	0.375	0.566	0.375	0.722	0.109	0.250	0.375	0.050
40	0.500	0.687	0.500	0.909	0.141	0.312	0.500	0.060
41	0.500	0.776	0.588	0.823	0.187	0.305	0.500	0.050
50	0.625	0.972	0.625	1.131	0.203	0.406	0.625	0.080
60	0.750	1.063	0.750	1.427	0.203	0.469	0.750	0.094
80	1.000	1.387	1.000	1.915	0.266	0.625	1.000	0.125
100	1.250	1.776	1.250	2.437	0.328	0.781	1.250	0.156
120	1.500	2.091	1.500	2.799	0.392	0.906	1.500	0.187
140	1.750	2.498	1.750	3.181	0.450	1.125	1.750	0.219
160	2.000	2.815	2.000	3.890	0.518	1.250	2.000	0.250

ANSI STANDARD ATTACHMENT CHAIN

ATTACHMENTS WA-1 WK-1

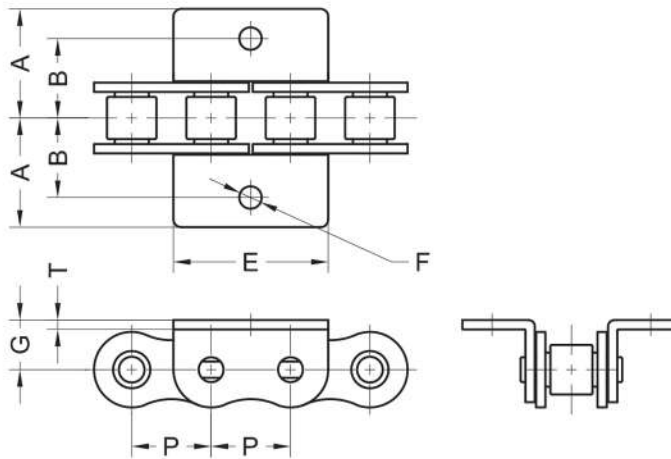
WA-1

Wide contour bent one side with one hole in each tab



WK-1

Wide contour bent two sides with one hole in each tab



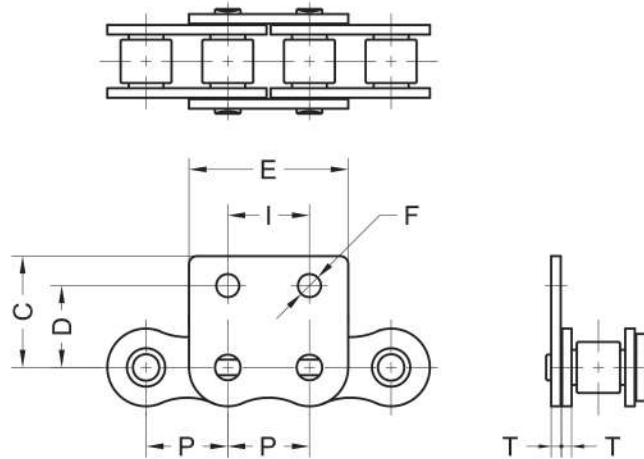
Chain	Pitch P	Attachment dimensions					
		A	B	E	F	G	T
35	0.375	0.566	0.375	0.722	0.109	0.250	0.050
40	0.500	0.687	0.500	0.909	0.141	0.312	0.060
41	0.500	0.776	0.588	0.823	0.187	0.305	0.050
50	0.625	0.972	0.625	1.131	0.203	0.406	0.080
60	0.750	1.063	0.750	1.427	0.203	0.469	0.094
80	1.000	1.387	1.000	1.915	0.266	0.625	0.125
100	1.250	1.776	1.250	2.437	0.328	0.781	0.156
120	1.500	2.091	1.500	2.799	0.392	0.906	0.187
140	1.750	2.498	1.750	3.181	0.450	1.125	0.219
160	2.000	2.815	2.000	3.890	0.518	1.250	0.250

ANSI STANDARD ATTACHMENT CHAIN

ATTACHMENTS WSA-2 WSK-2

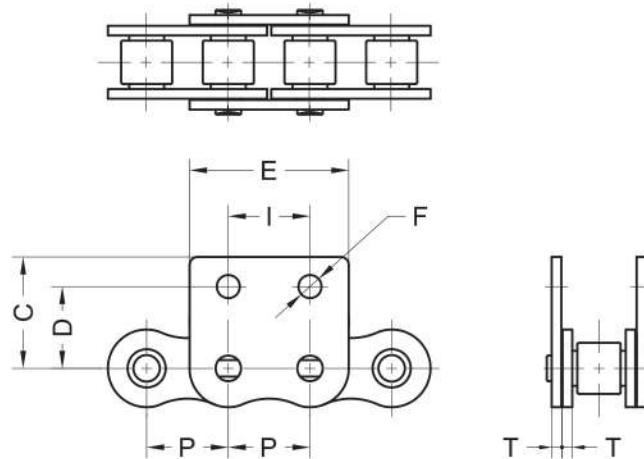
WSA-2

Wide contour straight one side with two holes in each tab



WSK-2

Wide contour straight two sides with two holes in each tab



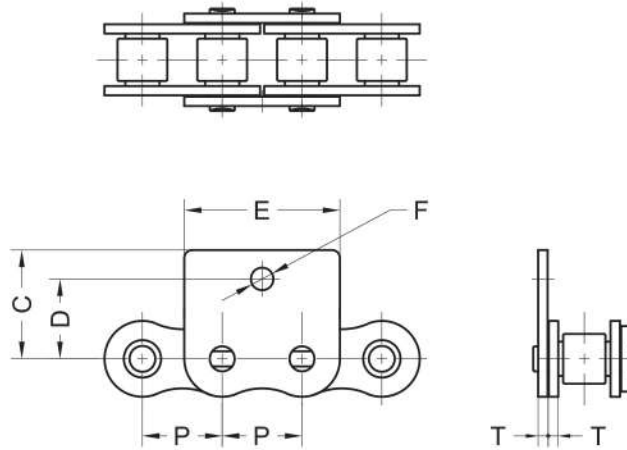
Chain	Pitch	Attachment dimensions					
	P	C	D	E	F	I	T
35	0.375	0.581	0.375	0.722	0.109	0.375	0.050
40	0.500	0.685	0.500	0.909	0.141	0.500	0.060
50	0.625	0.972	0.625	1.131	0.203	0.625	0.080
60	0.750	1.024	0.719	1.427	0.203	0.750	0.094
80	1.000	1.355	0.969	1.915	0.266	1.000	0.125
100	1.250	1.732	1.250	2.437	0.328	1.250	0.156
120	1.500	2.022	1.438	2.925	0.392	1.500	0.187
140	1.750	2.500	1.750	3.413	0.450	1.750	0.219

ANSI STANDARD ATTACHMENT CHAIN

ATTACHMENTS WSA-1 WSK-1

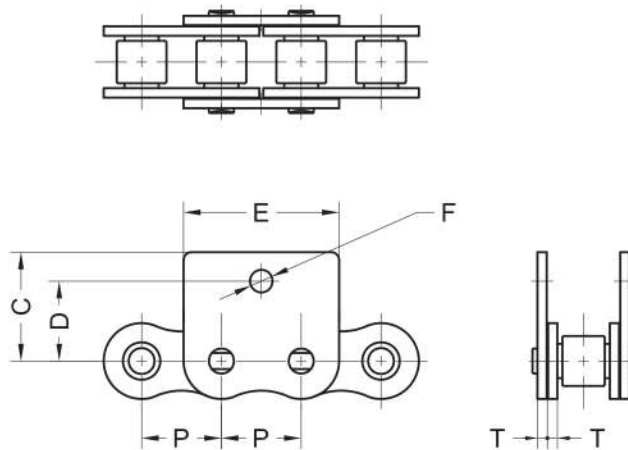
WSA-1

Wide contour straight one side with one hole in each tab



WSK-1

Wide contour straight two sides with one hole in each tab



Chain	Pitch	Attachment dimensions				
	P	C	D	E	F	T
35	0.375	0.581	0.375	0.722	0.109	0.050
40	0.500	0.685	0.500	0.909	0.141	0.060
50	0.625	0.972	0.625	1.131	0.203	0.080
60	0.750	1.024	0.719	1.427	0.203	0.094
80	1.000	1.355	0.969	1.915	0.266	0.125
100	1.250	1.732	1.250	2.437	0.328	0.156
120	1.500	2.022	1.438	2.925	0.392	0.187
140	1.750	2.500	1.750	3.413	0.450	0.219

ANSI STANDARD ATTACHMENT CHAIN

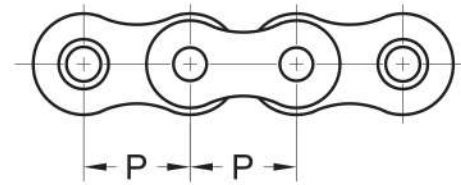
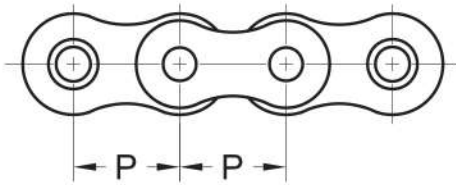
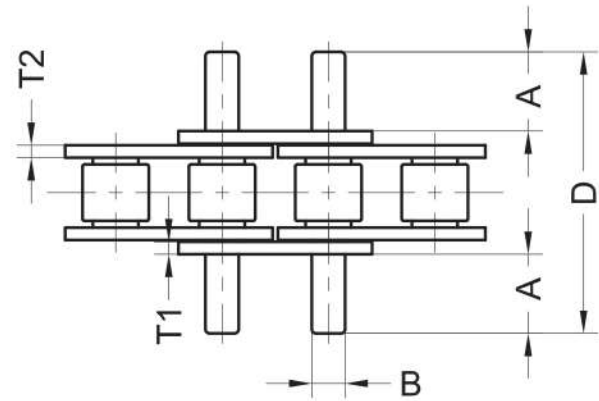
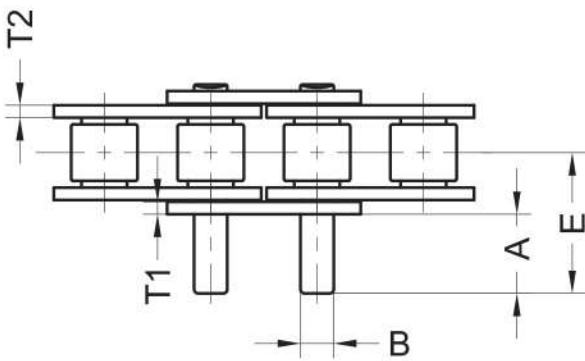
ATTACHMENTS D-3 DD-3

D-3

Two pins extended one side

DD-3

Two pins extended two sides



Chain	Pitch	Attachment dimensions				
	P	A	B	D	E	T
35	0.375	0.375	0.141	1.150	0.575	0.050
40	0.500	0.375	0.156	1.322	0.661	0.060
41	0.500	0.375	0.141	1.216	0.608	0.050
50	0.625	0.469	0.200	1.654	0.827	0.080
60	0.750	0.562	0.234	2.036	1.018	0.094
80	1.000	0.750	0.312	2.670	1.335	0.125
100	1.250	0.938	0.375	3.296	1.648	0.156
120	1.500	1.125	0.437	4.048	2.024	0.187
140	1.750	1.312	0.500	4.528	2.264	0.219
160	2.000	1.500	0.562	5.308	2.654	0.250
200	2.250	1.875	0.781	6.805	3.402	0.312

ANSI STANDARD ATTACHMENT CHAIN

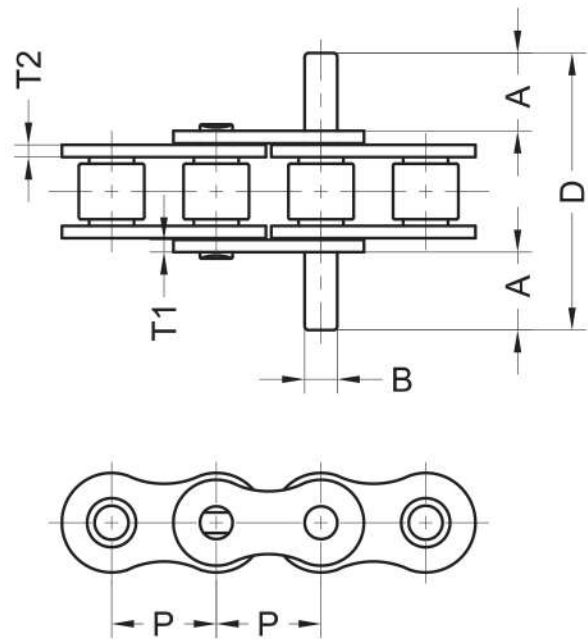
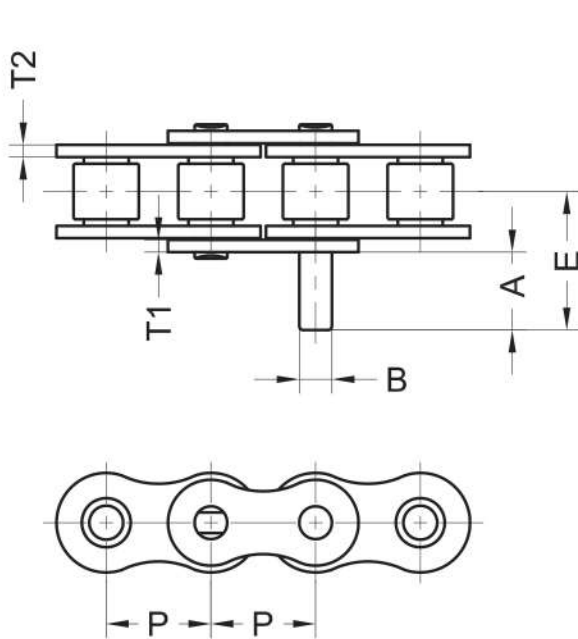
ATTACHMENTS D-1 DD-1

D-1

One pin extended one side

DD-1

One pin extended two sides



Chain	Pitch	Attachment dimensions				
	P	A	B	D	E	T
35	0.375	0.375	0.141	1.150	0.575	0.050
40	0.500	0.375	0.156	1.322	0.661	0.060
41	0.500	0.375	0.141	1.216	0.608	0.050
50	0.625	0.469	0.200	1.654	0.827	0.080
60	0.750	0.562	0.234	2.036	1.018	0.094
80	1.000	0.750	0.312	2.670	1.335	0.125
100	1.250	0.938	0.375	3.296	1.648	0.156
120	1.500	1.125	0.437	4.048	2.024	0.187
140	1.750	1.312	0.500	4.528	2.264	0.219
160	2.000	1.500	0.562	5.308	2.654	0.250
200	2.500	1.875	0.781	6.805	3.402	0.312