



PRINCE
GROUP

DOUBLE PITCH

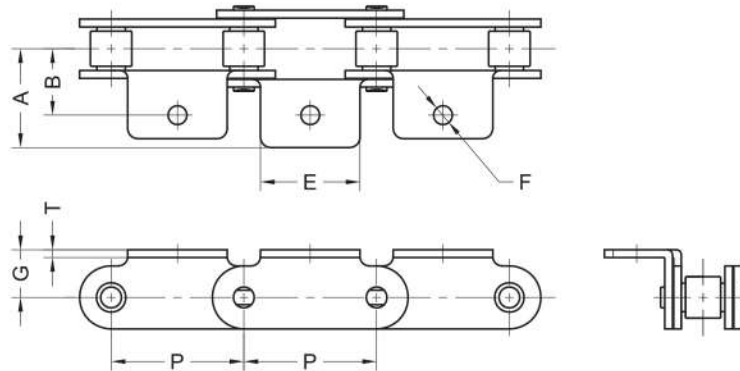
ATTACHMENT

ANSI STANDARD DOUBLE PITCH ATTACHMENT CHAIN

ATTACHMENTS A-1 K-1

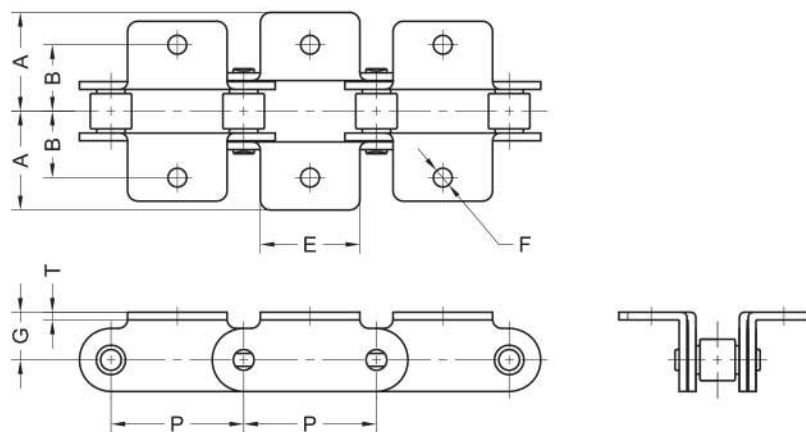
A-1

Bent one side with one hole in each tab



K-1

Bent two sides with one hole in each tab



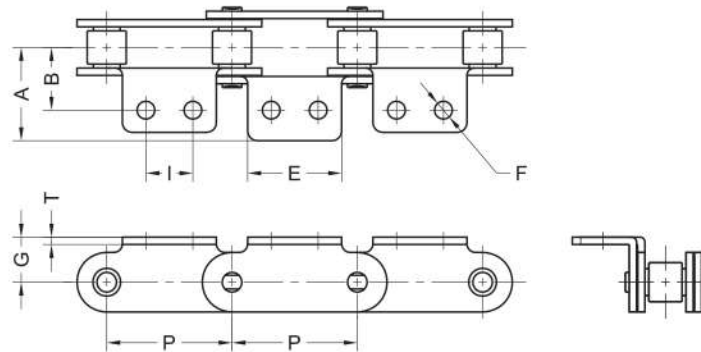
Chain	Pitch P	Attachment dimensions					
		A	B	E	F	G	T
C2040	1.000	0.742	0.500	0.750	0.141	0.359	0.060
C2050	1.250	0.945	0.625	1.000	0.203	0.438	0.080
C2060H	1.500	1.203	0.844	1.125	0.203	0.578	0.125
C2080H	2.000	1.575	1.094	1.500	0.266	0.750	0.156
C2100H	2.500	1.965	1.312	1.875	0.328	0.922	0.187
C2120H	3.000	2.390	1.562	2.250	0.391	1.094	0.219
C2160H	4.000	3.157	2.062	2.965	0.518	1.438	0.281

ANSI STANDARD DOUBLE PITCH ATTACHMENT CHAIN

ATTACHMENTS A-2 K-2

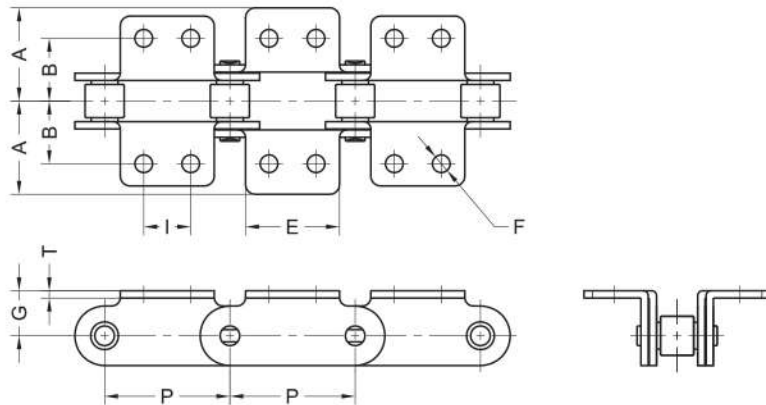
A-2

Bent one side with two holes in each tab



K-2

Bent two sides with two holes in each tab



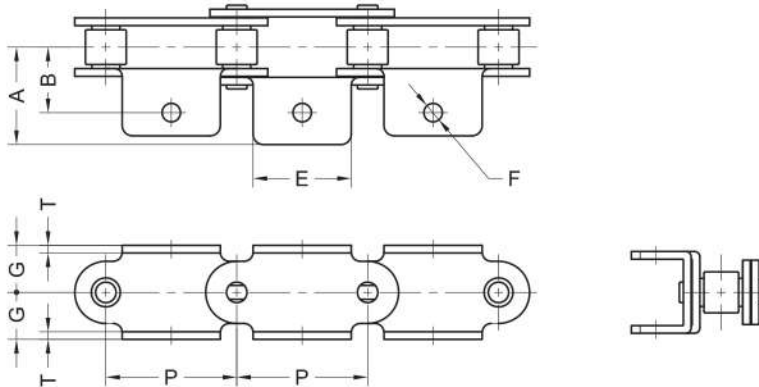
Chain	Pitch	Attachment dimensions						
	P	A	B	E	F	G	I	T
C2040	1.000	0.742	0.500	0.750	0.141	0.359	0.375	0.060
C2050	1.250	0.945	0.625	1.000	0.203	0.438	0.469	0.080
C2060H	1.500	1.203	0.844	1.125	0.203	0.578	0.562	0.125
C2080H	2.000	1.575	1.094	1.500	0.266	0.750	0.750	0.156
C2100H	2.500	1.965	1.312	1.875	0.328	0.922	0.937	0.187
C2120H	3.000	2.390	1.562	2.250	0.391	1.094	1.125	0.219
C2160H	4.000	3.157	2.062	2.965	0.518	1.438	1.500	0.281

ANSI STANDARD DOUBLE PITCH ATTACHMENT CHAIN

ATTACHMENTS AA-1 KK-1

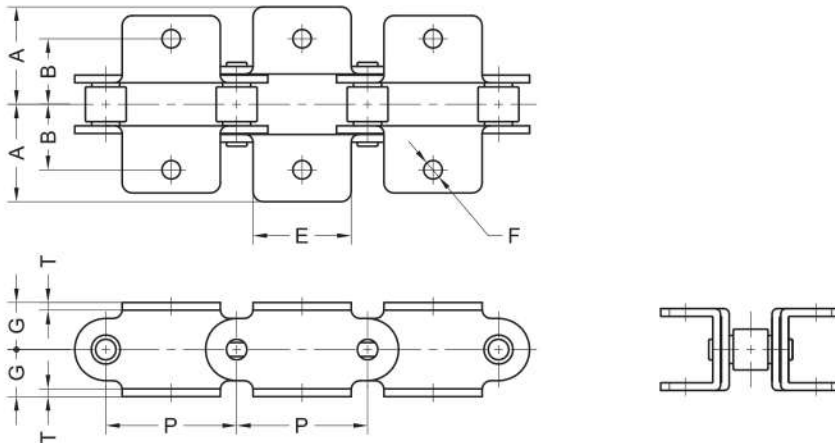
AA-1

Two bends one side with one hole in each tab



KK-1

Two bends two sides with one hole in each tab



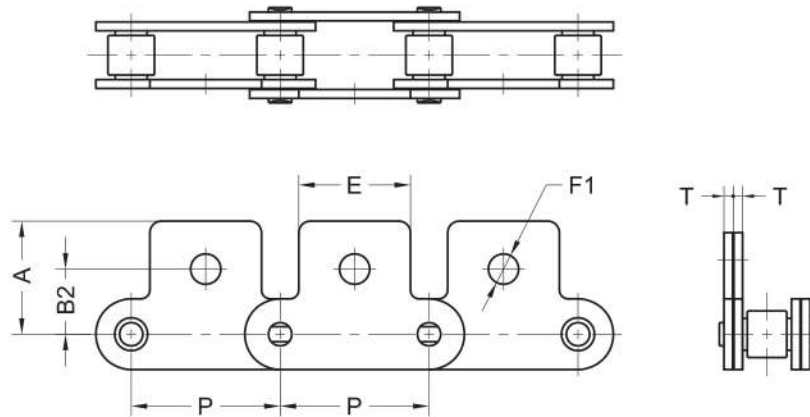
Chain	Pitch	Attachment dimensions					
	P	A	B	E	F	G	T
C2040	1.000	0.742	0.500	0.750	0.141	0.359	0.060
C2050	1.250	0.945	0.625	1.000	0.203	0.438	0.080
C2060H	1.500	1.203	0.844	1.125	0.203	0.578	0.125
C2080H	2.000	1.575	1.094	1.500	0.266	0.750	0.156
C2100H	2.500	1.965	1.312	1.875	0.328	0.922	0.187
C2120H	3.000	2.390	1.562	2.250	0.391	1.094	0.219
C2160H	4.000	3.157	2.062	2.965	0.518	1.438	0.281

ANSI STANDARD DOUBLE PITCH ATTACHMENT CHAIN

ATTACHMENTS SA-1 SK-1

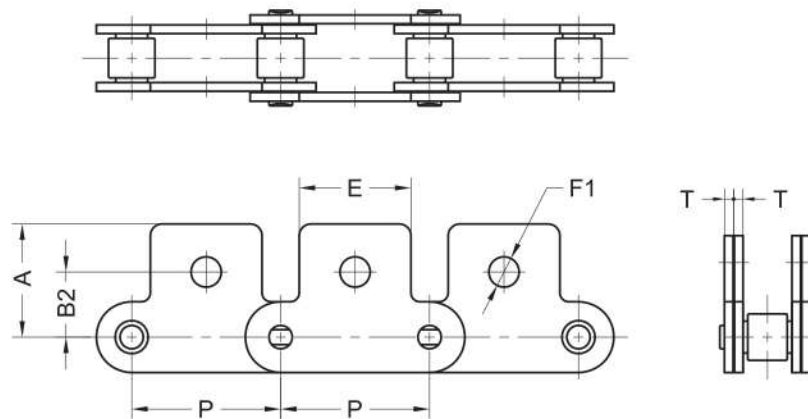
SA-1

Straight one side with one hole in each tab



SK-1

Straight two sides with one hole in each tab



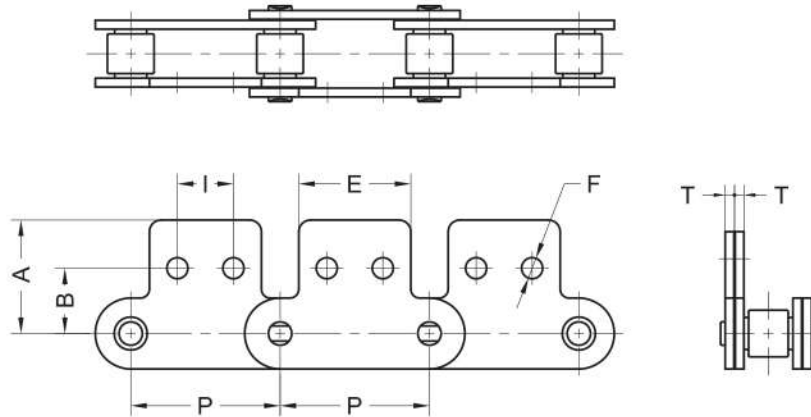
Chain	Pitch	Attachment dimensions				
	P	A	B2	E	F	T
C2040	0.375	0.759	0.438	0.750	0.203	0.060
C2050	0.375	0.969	0.562	1.000	0.250	0.080
C2060H	0.500	1.172	0.688	1.125	0.328	0.125
C2080H	0.500	1.500	0.875	1.500	0.391	0.156
C2100H	0.500	1.984	1.125	1.875	0.516	0.187
C2120H	0.625	2.359	1.312	2.250	0.578	0.219
C2160H	0.625	3.025	1.750	2.965	0.766	0.281

ANSI STANDARD DOUBLE PITCH ATTACHMENT CHAIN

ATTACHMENTS SA-2 SK-2

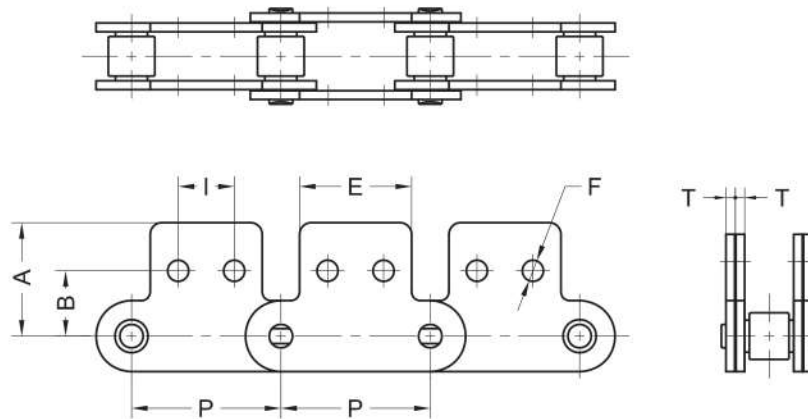
SA-2

Straight one side with two holes in each tab



SK-2

Straight two sides with two holes in each tab



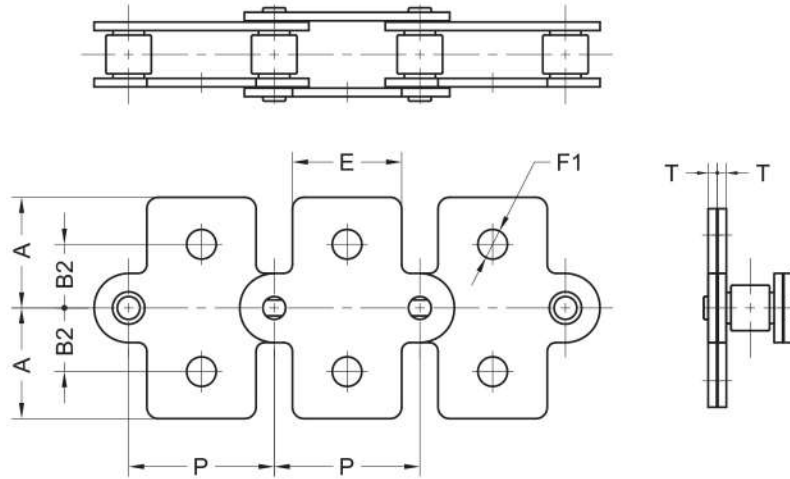
Chain	Pitch	Attachment dimensions					
	P	A	B	E	F	I	T
C2040	0.375	0.759	0.531	0.750	0.141	0.375	0.060
C2050	0.375	0.969	0.625	1.000	0.203	0.469	0.080
C2060H	0.500	1.172	0.750	1.125	0.203	0.562	0.125
C2080H	0.500	1.500	1.000	1.500	0.266	0.750	0.156
C2100H	0.500	1.984	1.250	1.875	0.328	0.938	0.187
C2120H	0.625	2.359	1.469	2.250	0.390	1.125	0.219
C2160H	0.625	3.025	2.000	2.965	0.521	1.500	0.281

ANSI STANDARD DOUBLE PITCH ATTACHMENT CHAIN

ATTACHMENTS SAA-1 SKK-1

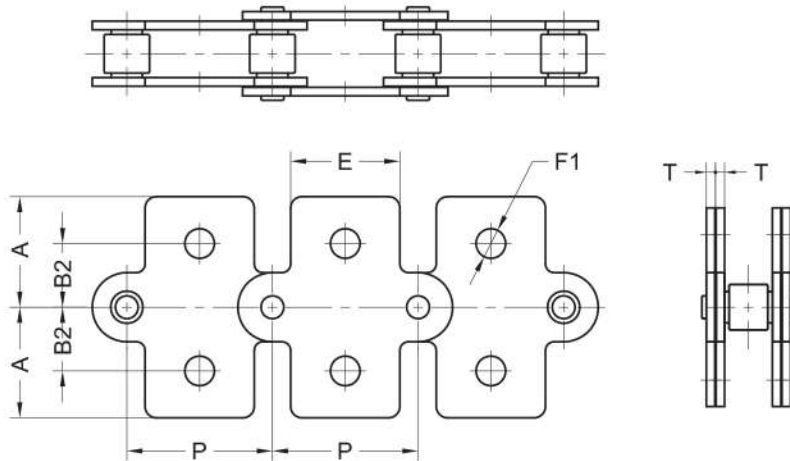
SAA-1

Two straight one side with one hole in each tab



SKK-1

Two straight two sides with one hole in each tab



Chain	Pitch	Attachment dimensions				
	P	A	B2	E	F	T
C2040	0.375	0.759	0.438	0.750	0.141	0.060
C2050	0.375	0.969	0.562	1.000	0.203	0.080
C2060H	0.500	1.172	0.688	1.125	0.203	0.125
C2080H	0.500	1.500	0.875	1.500	0.266	0.156
C2100H	0.500	1.984	1.125	1.875	0.328	0.187
C2120H	0.625	2.359	1.312	2.250	0.390	0.219
C2160H	0.625	3.025	1.750	2.965	0.521	0.281

ANSI STANDARD DOUBLE PITCH ATTACHMENT CHAIN

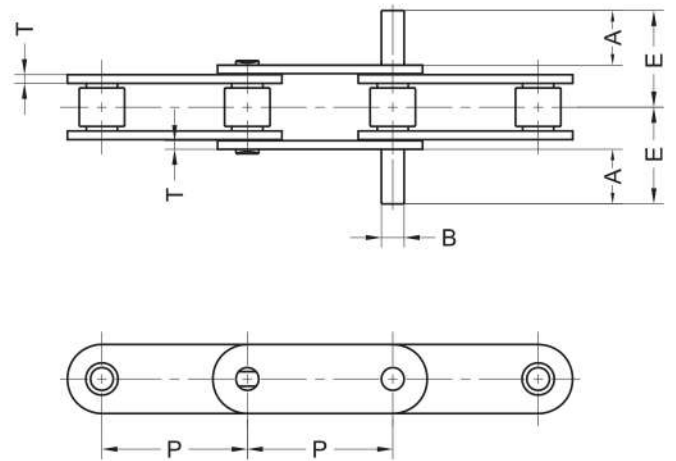
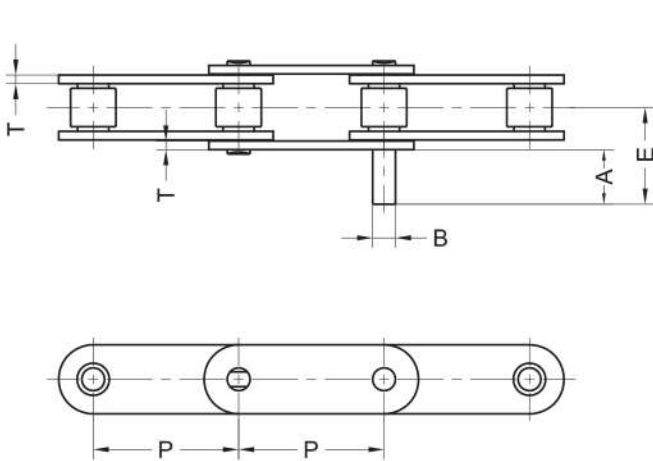
ATTACHMENTS D-1 DD-1

D-1

One pin extended one side

DD-1

One pin extended two sides



Chain	Pitch	Attachment dimensions			
	P	A	B	T	E
C2040	1.000	0.375	0.157	0.060	0.661
C2050	1.250	0.469	0.200	0.080	0.827
C2060H	1.500	0.562	0.235	0.125	1.062
C2080H	2.000	0.750	0.313	0.156	1.375
C2100H	2.500	0.930	0.376	0.187	1.679
C2120H	3.000	1.125	0.437	0.219	2.063
C2160H	4.000	1.500	0.563	0.281	2.687

ANSI STANDARD DOUBLE PITCH ATTACHMENT CHAIN

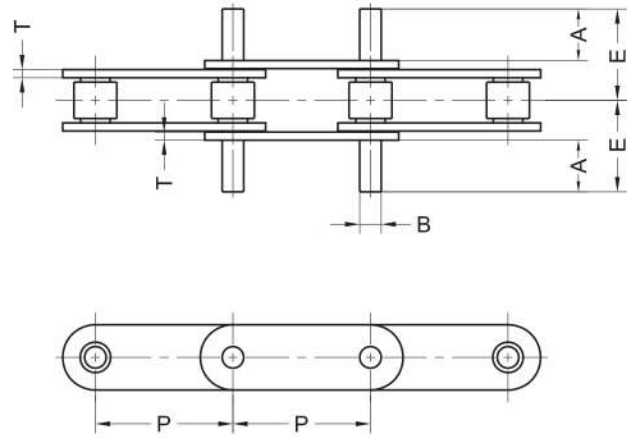
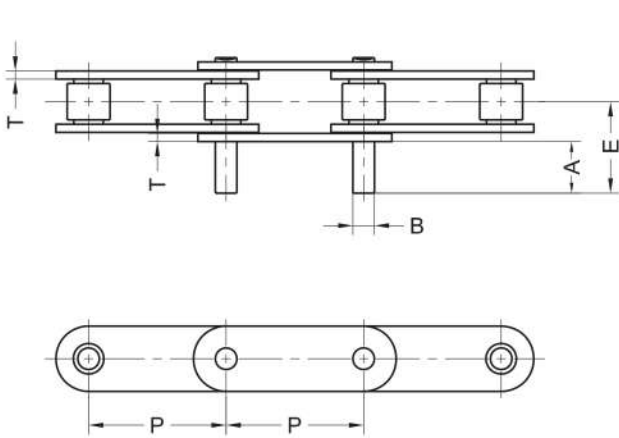
ATTACHMENTS D-3 DD-3

D-3

Two pins extended one side

DD-3

Two pins extended two sides



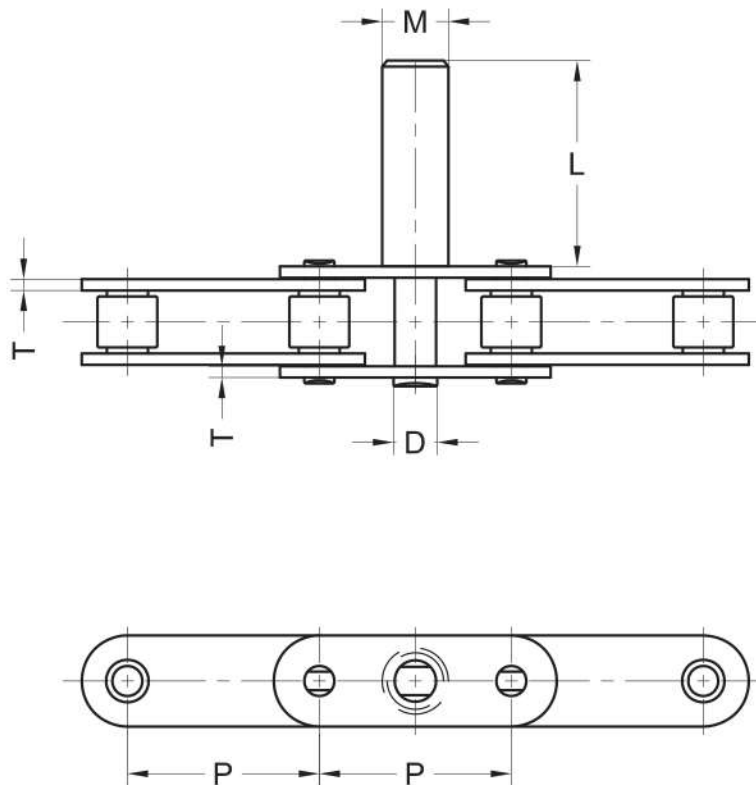
Chain	Pitch	Attachment dimensions			
	P	A	B	T	E
C2040	1.000	0.375	0.157	0.060	0.661
C2050	1.250	0.469	0.200	0.080	0.827
C2060H	1.500	0.562	0.235	0.125	1.062
C2080H	2.000	0.750	0.313	0.156	1.375
C2100H	2.500	0.930	0.376	0.187	1.679
C2120H	3.000	1.125	0.437	0.219	2.063
C2160H	4.000	1.500	0.563	0.281	2.687

ANSI STANDARD DOUBLE PITCH ATTACHMENT CHAIN

ATTACHMENTS D-5

D-5

One pin extended on one side in center of the link



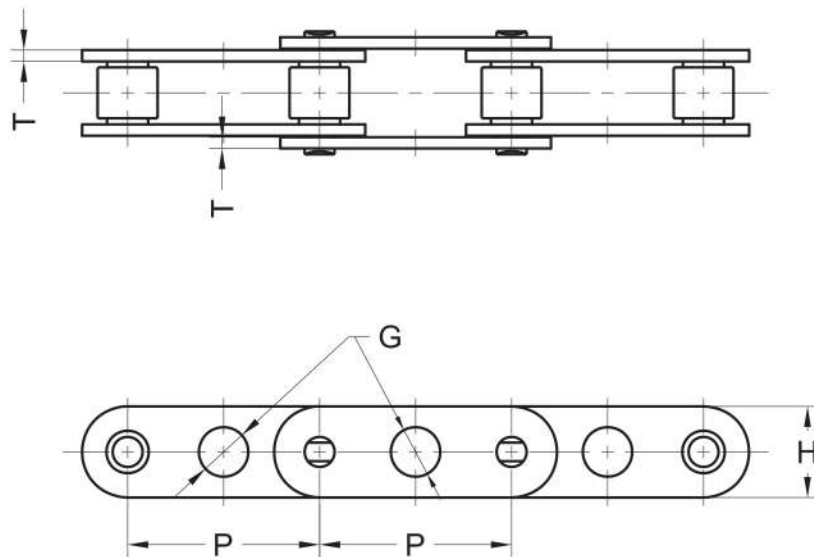
Chain	Pitch	Attachment dimensions			
	P	L	M	D	T
C2040	1.000	0.750	0.250	0.157	0.060
C2050	1.250	0.773	0.282	0.200	0.080
C2060H 1/2"	1.500	1.625	0.500	0.313	0.125
C2060H 1/2" TD	1.500	1.625	0.500	0.235	0.125
C2060H 9/16"	1.500	1.625	0.563	0.313	0.125
C2080H 1/2"	2.000	1.625	0.500	0.313	0.156
C2080H 17/32"	2.000	1.250	0.523	0.313	0.156
C2100H	2.500	1.563	0.563	0.375	0.187

ANSI STANDARD DOUBLE PITCH ATTACHMENT CHAIN

ATTACHMENTS G-1

G-1

One thru hole on each plate in center of link



Chain	Pitch	Attachment dimensions		
	P	H	G	T
C2040	1.000	0.463	0.156	0.060
C2040	1.000	0.463	0.250	0.060
C2040	1.000	0.463	0.313	0.060
C2050	1.250	0.594	0.219	0.080
C2060H	1.500	0.712	0.235	0.125
C2080H	2.000	0.950	0.313	0.156
C2100H	2.500	1.187	0.376	0.187